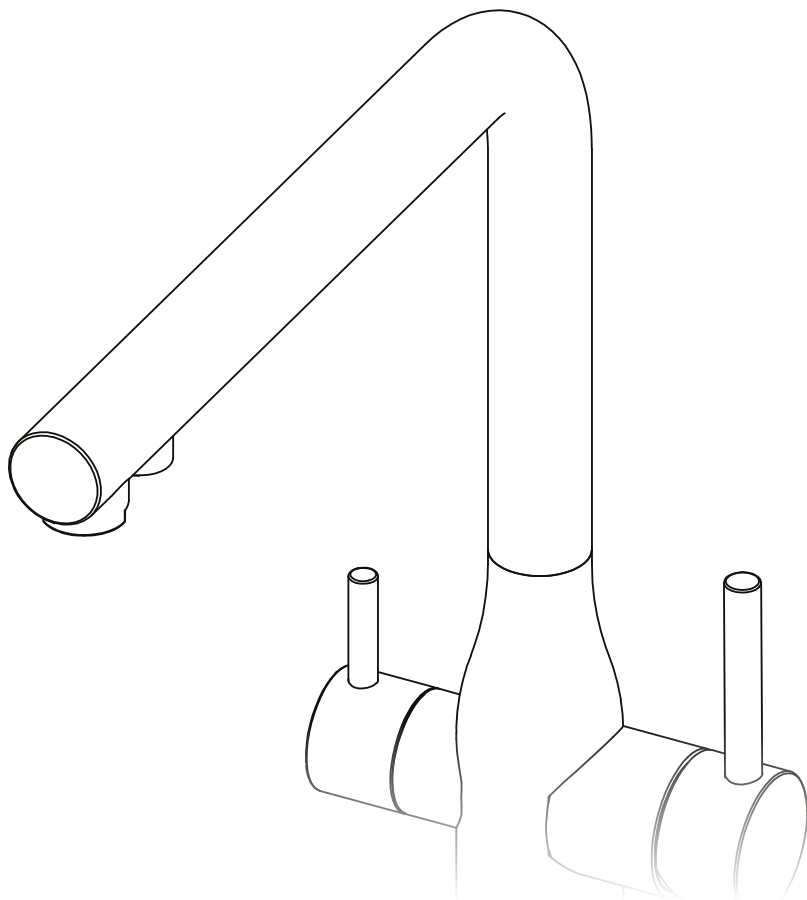




# ***Tripla™ Elite***

*Triple Action Tapware User Guide*



## What's inside

Register Your Warranty.....	3
Cleaning.....	3
Servicing.....	4
Technical Information.....	4
Recommended Working Pressures.....	4
Dimensions.....	5
Installation Guide.....	7
Water Connection Patterns.....	7
Assembly.....	8
Installation.....	9
Maintenance.....	10
Tripla Elite-10 Models - Parts Description.....	11
Tripla Elite-20 Models - Parts Description.....	12
Warranty.....	13



**WaterMark**  
AS/NZS 3718  
Licence No. WM 74726  
Pro-Switch Pty Ltd

## Puretec Customer Service

Thank you for purchasing a Puretec Tripla Elite. Your tap is manufactured from only quality materials and will last for years, if maintained and installed properly.

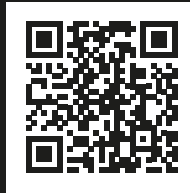
The system is designed for metropolitan supply water but can be used in other situations. For other types of water supply please contact your local Puretec stockist or call our Puretec Customer Service Helpline prior to installing the tap.

Customer Service Helpline **1300 140 140** (Australia) **0800 130 140** (New Zealand)



**REGISTER YOUR  
WARRANTY ONLINE**

Register your warranty online within  
30 days of your product purchase.



**Simply scan the QR code or visit  
[puretecgroupp.com/warranty](https://puretecgroupp.com/warranty)  
& complete the form.**

Terms and conditions apply. Proof of purchase must be  
retained. Go to [puretecgroupp.com](https://puretecgroupp.com) for full details.

## Cleaning

Plated Surface - should only be cleaned with a minimal amount of liquid detergent/soap with water.

Under no circumstance should any abrasive or acid-base cleaning agents be used.

## Servicing

Periodically clean the aerator for any lodged sediment that may restrict flow. A Puretec water filter is highly recommended for product longevity.

Should it be necessary to have your mixer serviced while under warranty, please carry out the following procedure:

1. Firstly call the plumber, preferably the one that has installed it, (most problems are caused by the supply lines not being cleaned out properly, prior to connecting the mixers).
2. Make sure that the plumber has installed your mixer according to the Instruction Guide.
3. If the plumber is satisfied that he cannot rectify the problem then contact your plumbing supply store or your local Puretec stockist.

Important: We do not recommend the dismantling of any internal part of the mixer purely to see what is inside as this will breach your warranty.

## Technical Information

Puretec mixers can be used in conjunction with:

- Pressure storage hot water system
- As per Ref. AS/NZS 3500.1:2021, Clause 3.3.4 - 500 kPa maximum static pressure at any outlet within a building
- Maximum hot water temperature of 60°C
- Instantaneous hot water system

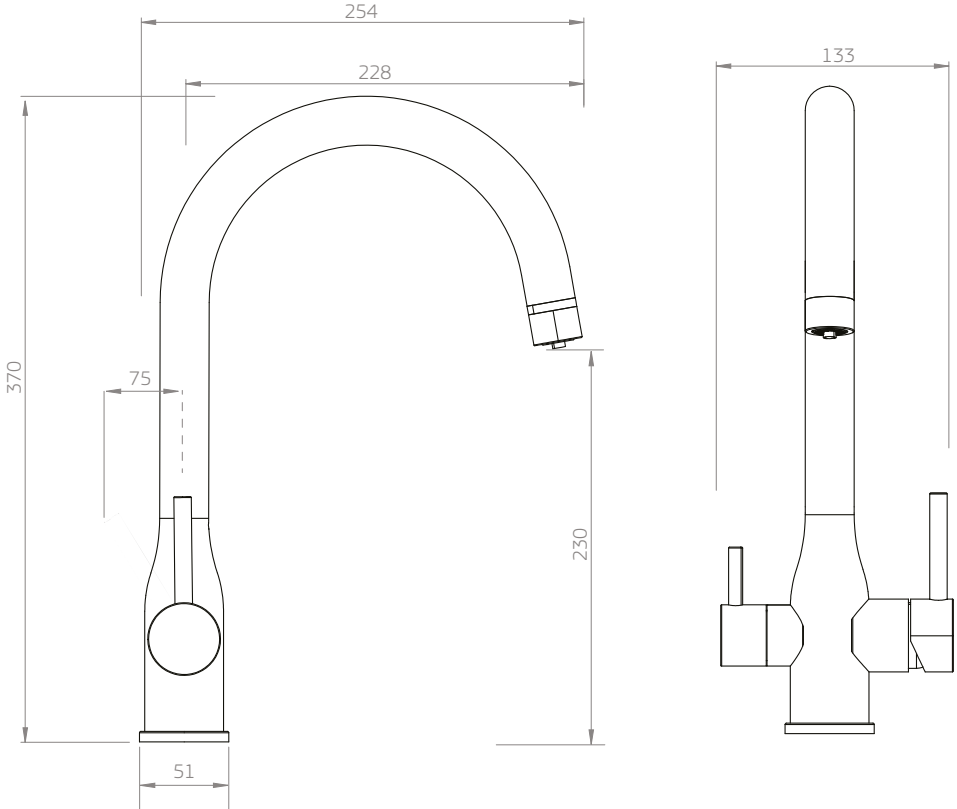
## Recommended Working Pressures

- Minimum working pressure 50 kPa (7.5 PSI)
- Maximum working pressure 500 kPa

It should be noted that water mains pressure builds up during off peak periods, mainly at night, where pressure can potentially increase in excess of an additional 100kPa

**Note:** Not suitable for unequal pressure. Where line pressure exceeds 500 kPa, an approved pressure limiting device must be installed to comply with Australian & New Zealand Plumbing Standards. (Ref. AS/NZS 3500.1:2021, Clause 3.3.4).

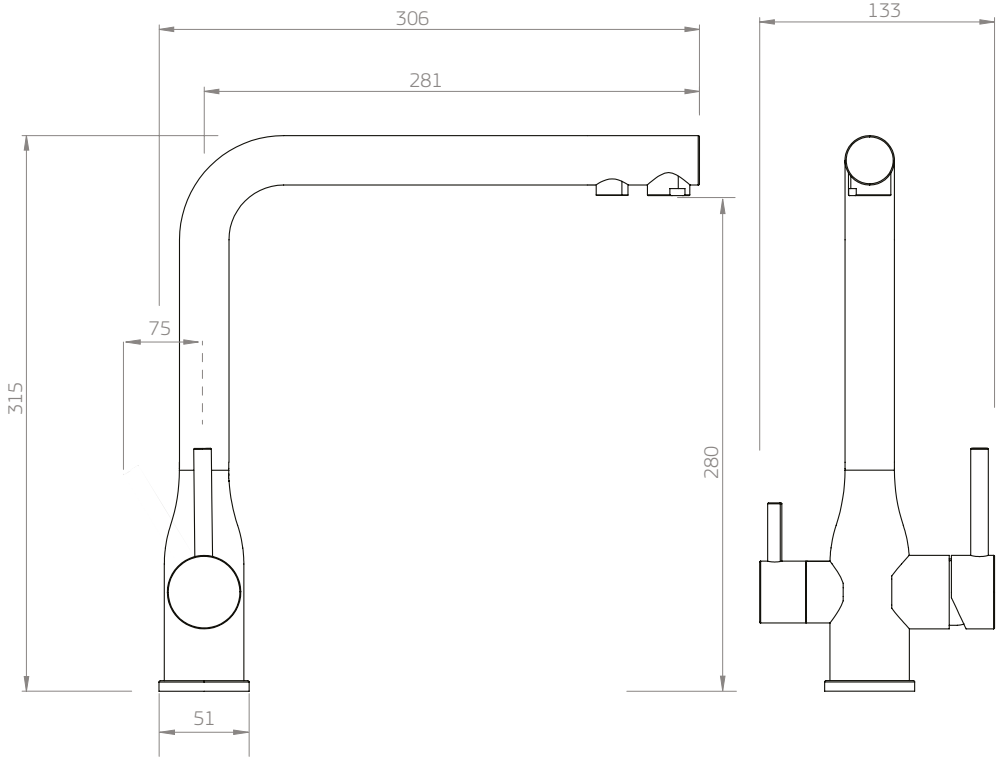
**Fig. 1 - Tripla™ Elite 10 Series Dimensions**



Model Code	Colour
<b>ELITE-10CH</b>	Chrome
<b>ELITE-10BN</b>	Brushed Nickel
<b>ELITE-10BG</b>	Brushed Gold
<b>ELITE-10GM</b>	Gunmetal
<b>ELITE-10MB</b>	Matt Black



**Fig. 2 - Tripla™ Elite 20 Series Dimensions**



Model Code	Colour
<b>ELITE-20CH</b>	Chrome
<b>ELITE-20BN</b>	Brushed Nickel
<b>ELITE-20BG</b>	Brushed Gold
<b>ELITE-20GM</b>	Gunmetal
<b>ELITE-20MB</b>	Matt Black



## Installation Guide

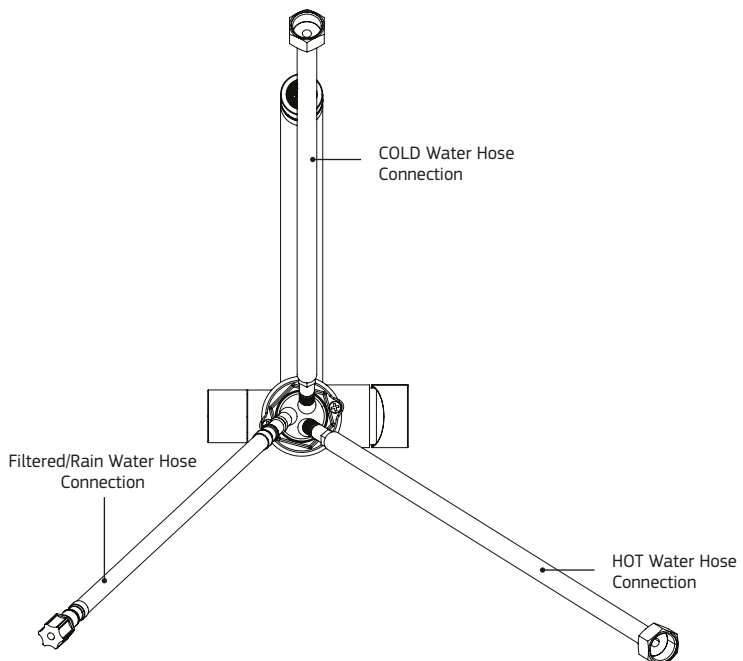
**Installation Note:** A water filter system/tap, like any product, has a limited life and may eventually fail. Also sometimes failure happens early due to unforeseen circumstances. To avoid possible property damage, this product should be regularly examined for leakage and/or deterioration and replaced when necessary. A drain pan, plumbed to an appropriate drain or outfitted with a leak detector, should be used in those applications where any leakage could cause property damage, and/or the water supply should be turned off if no one is home/present.

**INSTALLATION MUST BE COMPLETED BY A LICENCED PLUMBER. FAULTY OPERATION DUE TO UNQUALIFIED PERSONS WILL RESULT IN VOIDED WARRANTY COVERAGE.**

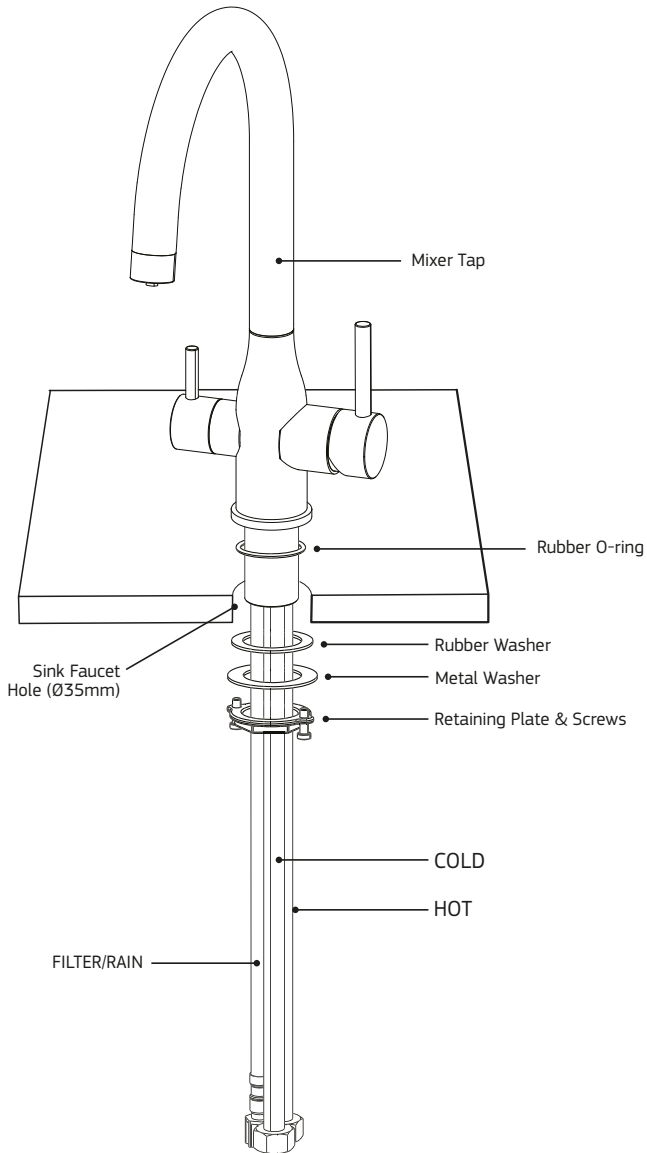
**Note:** It is important to flush out the supply pipes to the mixer before connecting the flexible hoses, with the initial installation, so no foreign matter can enter into the cartridges.

A Puretec Water Filter is highly recommended for product longevity.

### Fig.3 - Water Connection Patterns



**Fig.4 - Assembly**





## Installation

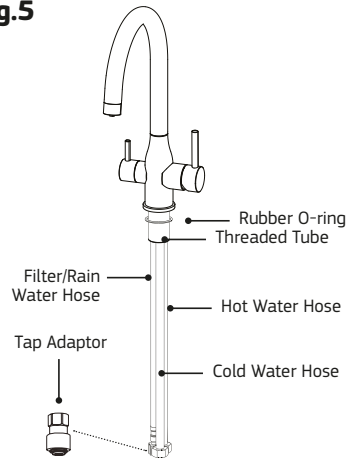
1. Unscrew and remove the threaded tube. Connect each the hoses to the faucet and tighten them as shown in Fig. 3. Screw the tap adaptor to the bottom of the filter hose. Screw the threaded tube back onto the faucet.

**Note:** Only tighten the flexible hoses by hand. Do not overtighten. Don't use any tools.

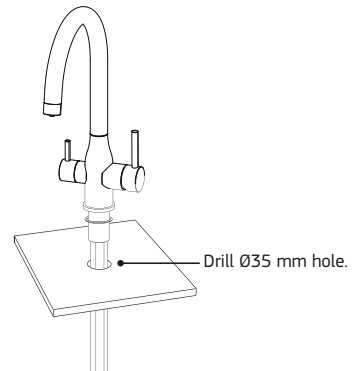
2. Ensure the o-ring is seated correctly in the groove at the base of the tap.
3. Put the hoses through the Basin or Sink. Required through hole size is  $\varnothing 35$  mm.

4. Slip the rubber washer and the metal washer over the hoses as shown in Fig. 4, followed by the retaining plate.
5. Screw the retaining plate up hand tight to secure the tap into position.
6. Finally, tighten each retaining plate screw against the metal washer to secure tap firmly into place.

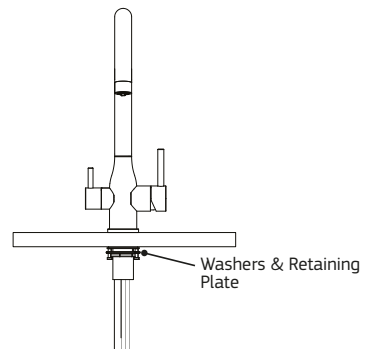
**Fig.5**



**Fig.6**



**Fig.7**

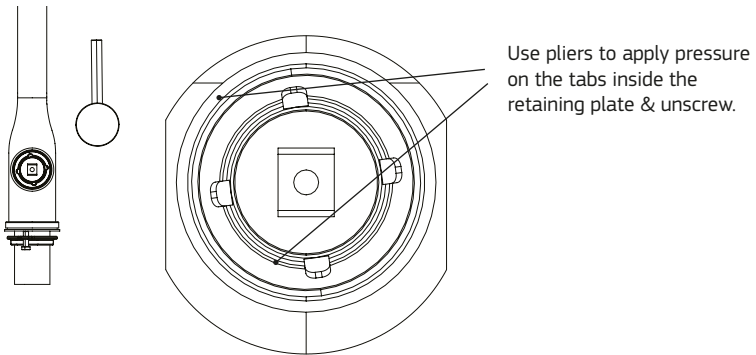


## Replacement of Ceramic Disc Cartridge & Filter Spindle

### Hot/Cold Ceramic Disc Cartridge

- Unscrew and remove the hot/cold water handle. Unscrew and remove the cartridge grub screw with an Allen key.
- Remove the handle cap. Unscrew and remove the dome cap.
- Using a pair of needle pliers, grip the inside of the hot/cold cartridge retaining plate to unscrew and remove it.

**Fig.8**

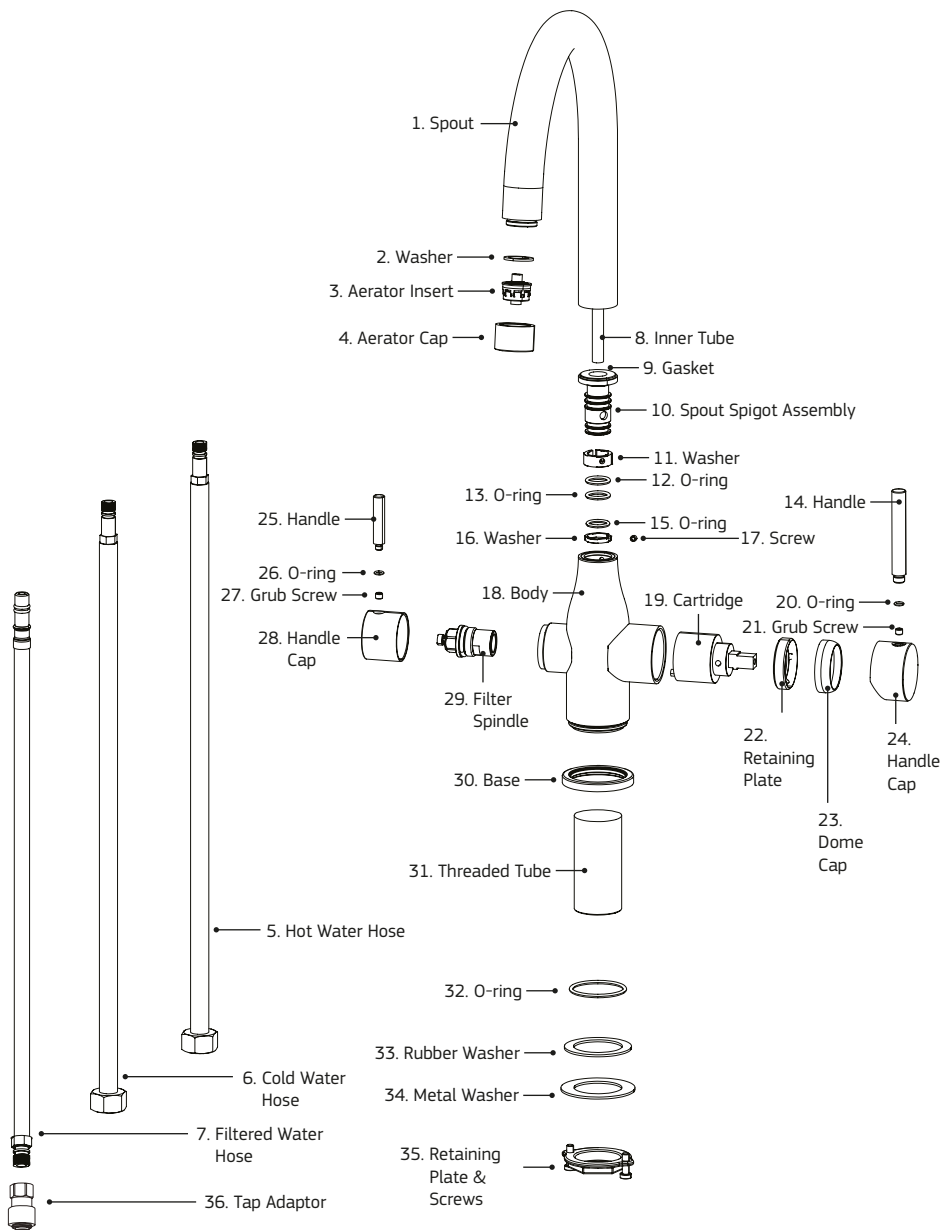


- Lift out old cartridge and clean the inside making sure no old O-rings are still stuck inside cartridge housing.
- Insert new cartridge making sure O-rings on bottom of new cartridge have not fallen off and lugs in bottom of cartridge line up with holes in cartridge housing.
- Seat the cartridge retaining cap back into position and tighten with the pliers. Reinstall the dome and handle caps, securing with the grub screw with the Allen key.
- Replace the handle (hand tighten only).

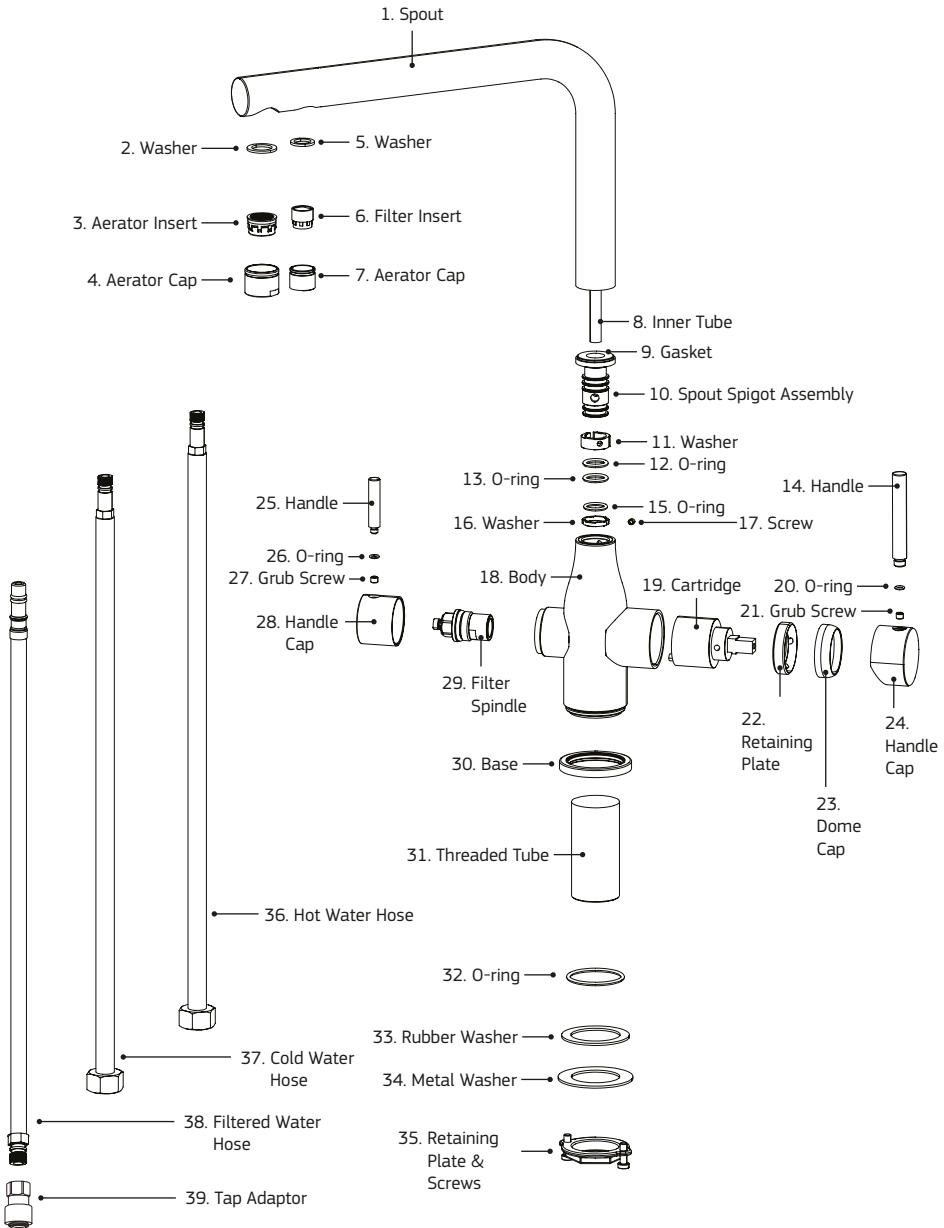
### Filtered/Rain Spindle

- Unscrew and remove the filter handle. Unscrew and remove the filter grub screw with an Allen key.
- Lift out the old filter spindle by loosening the nut with a wrench and clean the inside of the spindle housing.
- Insert the new spindle, tightening with the wrench. **DO NOT OVERTIGHTEN.**
- Seat the handle cap back into position and secure the grub screw with the Allen key.
- Replace the handle (hand tighten only).

**Fig. 9 Parts Description - Tripla Elite 10 Models**



**Fig. 10 Parts Description - Tripla Elite 20 Models**



## Notes

The complete range of Puretec products are developed, refined and made to meet and exceed stringent specifications for the worldwide market.

Important Note: Sales of products are subject to our Terms & Conditions which are available upon request. All specifications, prices and photos are a guide only and are subject to change without notice. Please ring to confirm details. Do not use products with microbiological unsafe water without adequate disinfection. Under normal circumstances a pressure limiting valve is not required. If incoming water pressure is excessive it may however be necessary to install an approved pressure limiting valve. Maximum flow depends on cartridge, vessel, pressure, impurities etc.

**Installation Note:** A water filter system/tap, like any product, has a limited life and may eventually fail. Also sometimes failure happens early due to unforeseen circumstances. To avoid possible property damage, this product should be regularly examined for leakage and/or deterioration and replaced when necessary. A drain pan, plumbed to an appropriate drain or outfitted with a leak detector, should be used in those applications where any leakage could cause property damage, and/or the water supply should be turned off if no one is home/present.

## Warranty

This warranty commences from the date of purchase. Puretec is renowned for its quality and after-sales support so if you have any issues please call 1300 140 140 (AU) or 0800 130 140 (NZ). To make a warranty claim, contact us directly or the place of original purchase. All costs relating to a warranty claim must be approved by Puretec prior to any work being carried out.

**Residential 15 Year Warranty:** Tap warranty is 2 years parts and labour, plus 13 years parts only. Finish warranty is 2 years. Flexible mixer tails are 5 Years warranty. Warranty excludes normal wear and tear and any misuse according to the user guide.

**Commercial 2 Year Warranty:** Warranty is 2 year parts and labour. Finish warranty is 1 year. Warranty excludes normal wear and tear and any misuse according to the user guide. Commercial installations are all non-residential installations including hotels, motels, schools, hospitals, restaurants and aged care facilities.

Puretec will pay your reasonable, direct expenses of claiming under this warranty. You may submit details and proof of your expense claim to place of purchase for consideration.

The warranty only applies if the product was used and/or installed in accordance with the user guide and/or installation instructions. This warranty is given in lieu of all other express or implied warranties and manufacturer shall in no circumstance be held liable for damages consequential or otherwise or delays caused or faulty manufacturing except as excluded by law.

Applicable to all above, is that the warranties need to be approved by Puretec to ensure product was not incorrectly used, installed or claimed. False and incorrect claims will be pursued at Puretec's discretion, including chargeable inspection and labour costs incurred.

All installation and service work should be completed by qualified tradespeople. Faulty operation due to unqualified persons will result in voided warranty coverage.

## **Warranty/Australia**

This warranty is given by Puretec Pty Ltd, ABN 44 164 806 688, 37-43 Brodie Road, Lonsdale SA 5160, telephone no. 1300 140 140 and email at [sales@puretec.com.au](mailto:sales@puretec.com.au).

This warranty is provided in addition to other rights and remedies you have under law: Our goods come with guarantees which cannot be excluded under the Australian Consumer Law. You are entitled to replacement or refund for a major failure and to compensation for other reasonably foreseeable loss or damage. You are also entitled to have the goods repaired or replaced if the goods fail to be of acceptable quality and the failure does not amount to a major failure.

## **Warranty/New Zealand**

This warranty is given by Puretec NZ LP, Reg. No 50081773, PO Box 875 Cambridge 3450 NZ, telephone no. 0800 130 140 and email at [sales@puretec.co.nz](mailto:sales@puretec.co.nz).

This warranty is provided in addition to other rights and remedies you have under law: Our goods come with guarantees which cannot be excluded under the Consumer Guarantees Act. You are entitled to replacement or refund for a major failure and to compensation for other reasonably foreseeable loss or damage. You are also entitled to have the goods repaired or replaced if the goods fail to be of acceptable quality and the failure does not amount to a major failure.

## **Register Your Warranty Online**

In order to register your warranty online you must do so within 30 days of your product purchase.

Follow these 3 simple steps:

1. Go to **[puretecgroupp.com/warranty](https://puretecgroupp.com/warranty)**
2. Enter the required details and hit submit.
3. You will receive an email confirming your warranty.

Terms and conditions apply. Proof of purchase must be retained.

Go to **[puretecgroupp.com](https://puretecgroupp.com)** for full details.





**Puretec**<sup>®</sup>  
PERFECTING WATER

**AUSTRALIA**

P 1300 140 140

E [sales@puretec.com.au](mailto:sales@puretec.com.au)

W [puretec.com.au](http://puretec.com.au)

**NEW ZEALAND**

P 0800 130 140

E [sales@puretec.co.nz](mailto:sales@puretec.co.nz)

W [puretec.co.nz](http://puretec.co.nz)