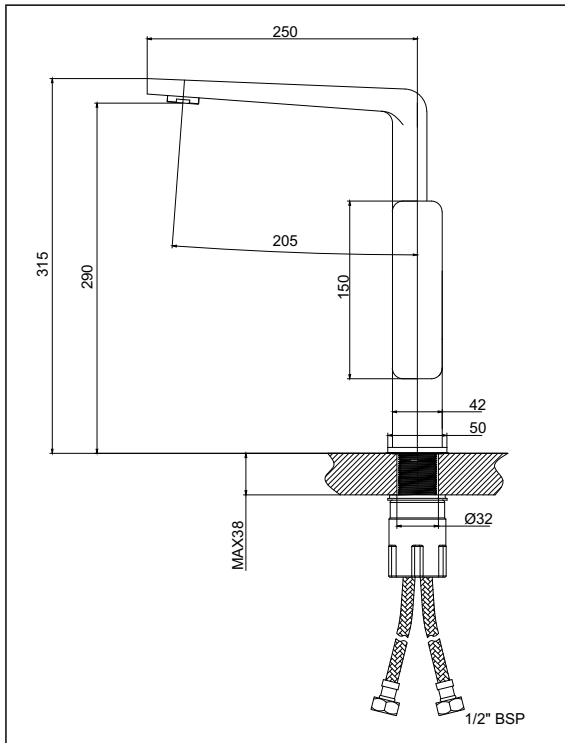


Energii

Sink Mixer



Code: EII SM

Finish: Brushed Nickel - Matte Black / Chrome / Matte Black

Spout: Swivel 360°

M24 cache aerator fitted and PCA supplied

Stainless Steel Inlet Hoses:

Size: M10 x 1/2" BSP

Mounting Hardware: Stud: 32mm brass tube and backnut with 2 x M6 lock screws

Horseshoe washer

Installation Hole Diameter: Minimum: 32mm
Maximum: 36mm

Max Bench Thickness: 38mm

Cartridge: Citec 35mm Flat Base

Flow: Supplied flow guide fitted for max flow with mains pressure system

8.0 ℓ/min PCA supplied for regulated flow ± 10% with mains pressure system

Max hot @ 35 kPa = 4.6 ℓ/min

Suitable for mains pressure only

Recommended Operational Pressure Range: 150 - 600 kPa
Maximum Operating Temp: 80°C Never to Exceed: 1000 kPa



aquatica



KIWI OWNED COMPANY

NZ

• DESIGNED
• ASSEMBLED
• TESTED



Aquatica NZ Limited

9 Saunders Place,
Avondale, Auckland.

Tel: 09-828 2068,

Fax: 09-828 2069

Email: info@aquatica.co.nz
or visit our website:

www.aquatica.co.nz

© copyright Aquatica 2019