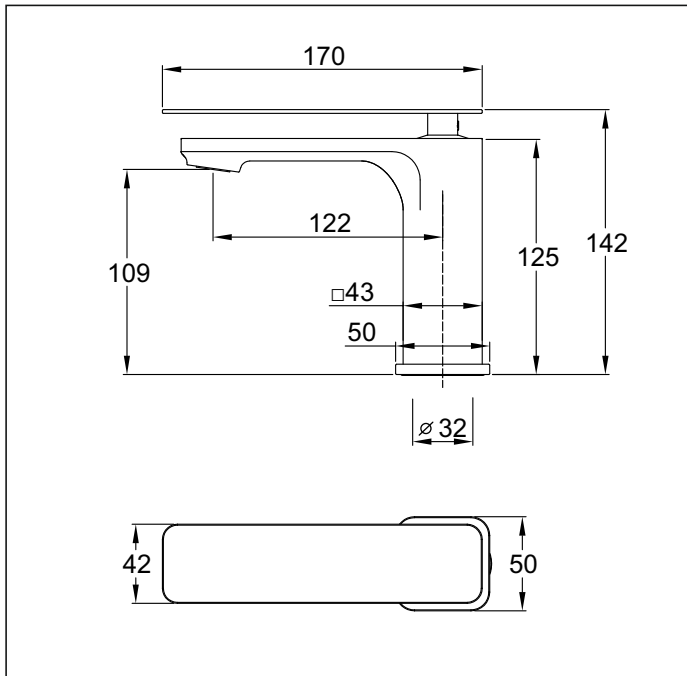


# Energii

## Basin Mixer

aquatica



**Code:** EII BASM

**Finish:** Brushed Nickel -Matte Black / Matte Black / Chrome

**Spout:** Fixed

**Water Inlet:** Stainless Steel Inlet Hoses:

Size: M10 x 1/2" BSP

**Water Outlet:** M24 Aerator with PCA fitted

Dress Ring supplied with O-ring seal

**Installation Hole Diameter:** Minimum: 32mm

Maximum: 38mm

**Max Bench Thickness:** 38mm

**Mounting Hardware:** 32mm Brass Tube and Backnut

Horseshoe Washer

**Cartridge:** 35 Citec high o-ring raised base

**Flow:** Supplied flow guide fitted for max flow at low pressure

7 l/min PCA fitted for regulated flow with mains pressure system

Max hot @ 35 kPa = 5 l/min

KIWI OWNED COMPANY

NZ

• DESIGNED  
• ASSEMBLED  
• TESTED



**Aquatica NZ Limited**

9 Saunders Place,  
Avondale, Auckland.

Tel: 09-828 2068,

Fax: 09-828 2069

Email: info@aquatica.co.nz  
or visit our website:

[www.aquatica.co.nz](http://www.aquatica.co.nz)

© copyright Aquatica 2019

**Suitable for mains pressure only**

Recommended Operational Pressure Range: 150 - 600 kPa

Maximum Operating Temp: 80°C Never to Exceed: 1000 kPa



*Please note: Specifications are subject to change without notice. It is the responsibility of the installer to check the measurements of the physical product before installation*