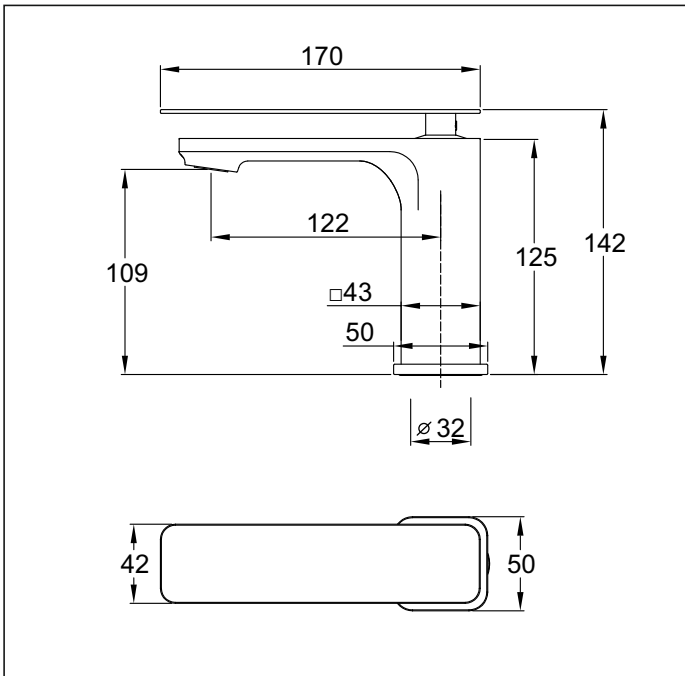


Energii

Basin Mixer

aquatica



Code: EII BASM BN BLK

Finish: Brushed Nickel -Matte Black / Matte Black / Chrome

Spout: Fixed

Water Inlet: Stainless Steel Inlet Hoses:
Size: M10 x 1/2" BSP

Water Outlet: M24 Aerator with PCA fitted
Dress Ring supplied with O-ring seal

Installation Hole Diameter: Minimum: 32mm
Maximum: 38mm

Max Bench Thickness: 38mm

Mounting Hardware: 32mm Brass Tube and Backnut
Horseshoe Washer

Cartridge: 35 Citec high o-ring raised base

Flow: Supplied flow guide fitted for max flow at low pressure
7 l/min PCA fitted for regulated flow with mains pressure system
Max hot @ 35 kPa = 5 l/min

KIWI OWNED COMPANY

NZ

• DESIGNED
• ASSEMBLED
• TESTED



Aquatica NZ Limited

9 Saunders Place,
Avondale, Auckland.

Tel: 09-828 2068,

Fax: 09-828 2069

Email: info@aquatica.co.nz
or visit our website:

www.aquatica.co.nz

© copyright Aquatica 2019

Suitable for mains pressure only

Recommended Operational Pressure Range: 150 - 600 kPa
Maximum Operating Temp: 80°C Never to Exceed: 1000 kPa



Please note: Specifications are subject to change without notice. It is the responsibility of the installer to check the measurements of the physical product before installation