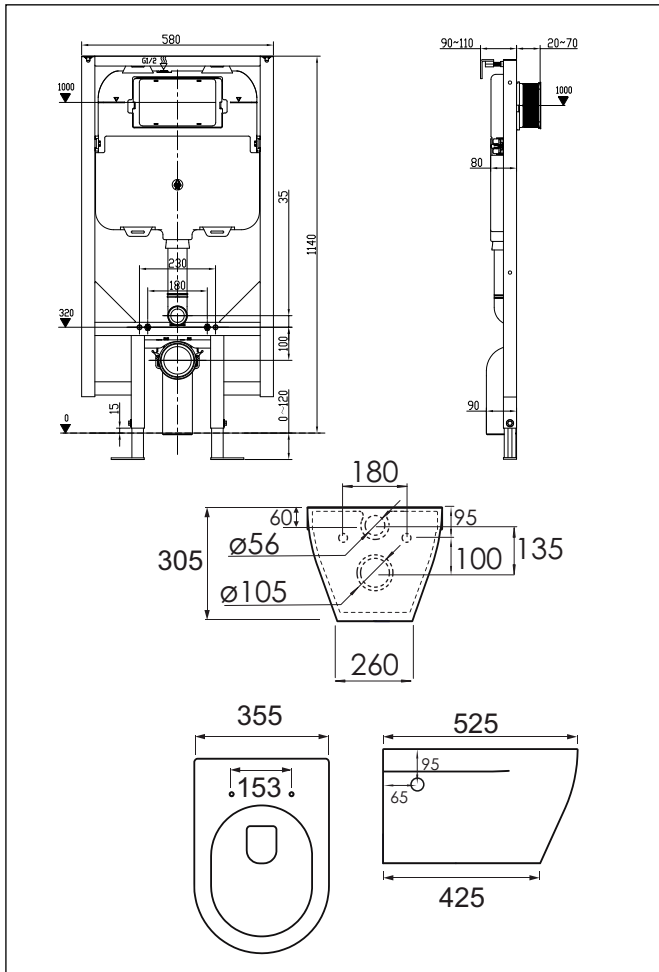


# Elegance

## Wall Hung Toilet with Cistern

aquatica



**Code: EG TOILET**

**Code: EG INWALL CISTERN** (Cistern only)

**Code: EG TOILET NO CIST** (Toilet only)

**Finish:** White Vitreous China bowl

**Floor to Seat Height:** Adjustable based on mounting position

**Base Dimension:** 425mm (L) x 260mm (W)

**Overall Dimension:** 525mm (L) x 355mm (W) x 305mm (H)

**Toilet Inlet from Cistern:** 60mm down from pan height

**Grub Screw Mounting hole location:** 65mm from rear toilet face and 95mm down from pan height

**Mounting Bolt holes:** 180mm centre to centre

**Features:** Easy release seat and soft close seat / rimless bowl

**Cistern:** Toilet must be paired with In-Wall cistern system with dual flush plate supplied

**Flush Plate:** Chrome or Black option: 235mm x 152mm

**Important Note:** Cistern must be a minimum of 20mm behind finished wall surface

**10 year warranty on Vitreous china pans and cisterns**

**2 year warranty on seats**

### WELS Rating

4 Star - 4.5/3 litre dual flush



KIWI OWNED COMPANY

**NZ** • DESIGNED  
• ASSEMBLED  
• TESTED

**Aquatica NZ Limited**

9 Saunders Place,  
Avondale, Auckland.  
Tel: 09-828 2068,  
Fax: 09-828 2069  
Email: [info@aquatica.co.nz](mailto:info@aquatica.co.nz)  
or visit our website:  
[www.aquatica.co.nz](http://www.aquatica.co.nz)

© copyright Aquatica 2019