

Inside

- Residential
- Commercial Care
- Lifestyle
- Basins



Quality, Reliability, Range

You can rely on the Dux range of bathroom products to be manufactured to high quality standards for long lasting reliability because we've been designing, manufacturing and distributing in the New Zealand plumbing industry for almost 80 years.

Whether your next project is residential or commercial, renovation or new build, Dux has a range of reliable products to enhance your new bathroom design, backed by extended warranties and with extensive spare parts availability for years to come.



Montego

LINK SUITE

A compact hard-wearing toilet, ideal when space is at a minimum.

- Long lasting plastic cistern with quality vitreous china pan
- Quick release seat function for easy cleaning
- Bottom right or left water inlets for easy installation

Order Code: MTDFPSWH (S Trap), MTDFPPWH (P Trap)



Vienna

LINK SUITE

The Vienna is a fresh modern design with smooth lines to complement any bathroom decor.

- Durable plastic cistern with quality vitreous china pan
- Quick release seat function for easy cleaning
- Water saving 4.5/3L is easily adjustable to 6/3L

Order Code: DVIENNASWH (S Trap), DVIENAPWH (P Trap)



Delmonte

LINK SUITE

Simple and practical this toilet has an extra wide set out range for easy installation.

- Durable plastic cistern with choice of S or P pan installation
- Can be installed up to 230mm from the back wall
- Bottom right or left water inlets for easy installation

Order Code: DMDFPSWH (S Trap), DMDFPPWH (P Trap)



Montego

SHROUDED LINK SUITE

A reliable, compact suite with features that conceal the waste outlet and flush pipe.

- Long lasting plastic cistern with shrouded pan
- Quick release seat function for easy cleaning
- Bottom right or left water inlets for easy installation

Order Code: MTSDFPSWH (S Trap)



Centreflush

LINK SUITE

Trusted by New Zealanders for over 50 years, the iconic Centreflush is water efficient, economical, durable and consistently reliable.

- Direct replacement installation makes Centreflush a favourite of plumbing professionals
- Factory set at 6L full flush, easily adjustable to 4.5L or 9L
- Clip on lid with internal condensation lip for added watertightness

Order Code: CFDFPSWH (S Trap), CFDFPPWH (P Trap)



Specifically designed with raised height pans, easy to operate flush buttons and reliable seat buffers for user independence in commercial care situations.

Commercial Care Range



Assist

COMMERCIAL CARE SUITE

This NZ Building Code standard compliant suite is an adaptable link solution offering reliable quality and consistent performance.

- Durable vitreous china cistern with raised height chrome buttons
- Raised height 450mm pan for ease of use
- Single flap seat with metal hinges and side buffers for added stability
- Water saving 4.5L full flush, adjustable to 6L full flush

Order Code: DDASSIST



Commercial Care Range



Vienna

COMMERCIAL CARE SUITE

The durable plastic cistern and extra features of this link suite make it an ideal commercial solution.

- Raised height seating, with raised height buttons for added user comfort
- Single flap seat with buffers and sturdy stainless steel seat hinges
- Water saving 4.5/3L is easily adjustable to 6/3L

Order Code: VIENNACOM-S



Assist

BACKREST

An easy to clean cushion pad in a universal design suitable for most commercial care toilet suites. Constructed with a high quality 75mm stainless steel frame the concealed fixing system provides a simple, secure installation.

- 32mm polished 304 stainless steel frame
- 360 x 160 x 40mm moulded polyurethane cushion
- Comes complete with wall screws and plugs

Order Code: BR1002



Vienna

DISABLED SUITE

A combination of comfort and care, this suite is ideal for both domestic and commercial use.

- Raised height seating, with raised height buttons for added user comfort
- Durable double flap Dux Classic seat on a shrouded pan
- Water saving 4.5/3L is easily adjustable to 6/3L

Order Code: VIENNADIS-S



Meeting the needs of homeowners enabling them to live comfortably and independently in their own homes for longer.

Lifestyle Range

Basin Range



Assist

LIFESTYLE CARE TOILET SUITE

The shrouded waste and concealed flush pipes make this the ideal solution for homes where a higher seating level is required and style is important.

- Strong smooth vitreous china cistern with integrated chrome buttons
- Durable polypropylene seat with integrated seat skirt
- Water saving 4.5L full flush, adjustable up to 6L full flush

Order Code: DLASSIST



Vienna

LIFESTYLE TOILET SUITE

Designed for homes where reliability and comfort are a priority, this suite gives you a higher than usual seating position while retaining a standard seat and flush buttons.

- Modern plastic cistern with integrated flush buttons
- Durable double flap seat with buffers and quick release
- Water saving 4.5/3L is easily adjustable to 6/3L

Order Code: VIENNALIFE-S



Zeta

WALL HUNG BASIN

Complement the bathroom with this quality vitreous china basin. The functional and aesthetic design matches all Dux Commercial Care and Life Style suites.

- Single tap hole with handy soap landing
- 40mm waste and generous deep bowl with 4L capacity
- Includes chrome overflow and solid wall mounting brackets

Order Code: ZETA50BASIN, ZETA50SHROUD



Aida

WALL HUNG BASIN

A compact wall mounted vitreous china basin, ideal for smaller spaces.

- Single right hand tap hole and chrome overflow
- 32mm waste and 1.7L bowl capacity
- Includes chrome overflow and solid wall mounting brackets

Order Code: DCAWB1TH



Annie

WALL HUNG BASIN

A spacious wall mounted vitreous china basin ideal for a minimalist room design.

- Single right hand tap hole and chrome overflow
- 32mm waste and 4.4L bowl capacity
- Includes chrome overflow and solid wall mounting brackets

Order Code: DCANWB1TH



Wendy

WALL HUNG BASIN

Add a statement with this generous curved design to this modern wall mounted basin.

- Single central tap hole and chrome overflow
- 32mm waste and 3.2L bowl capacity
- Includes chrome overflow and solid wall mounting brackets

Order Code: DCWWB1TH





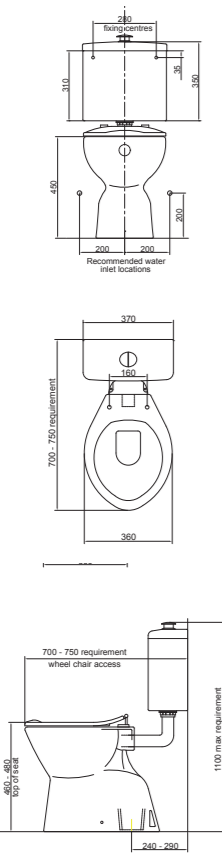
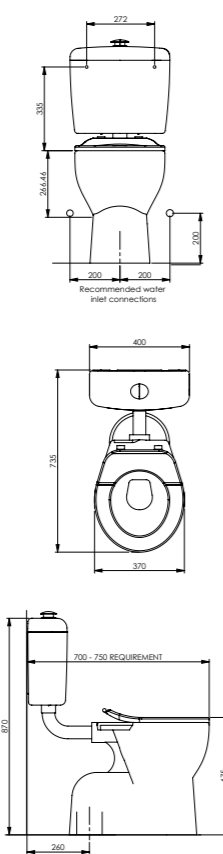
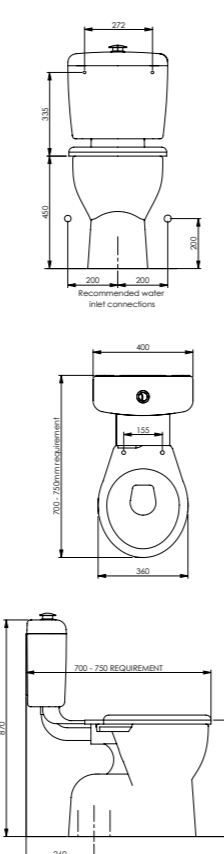
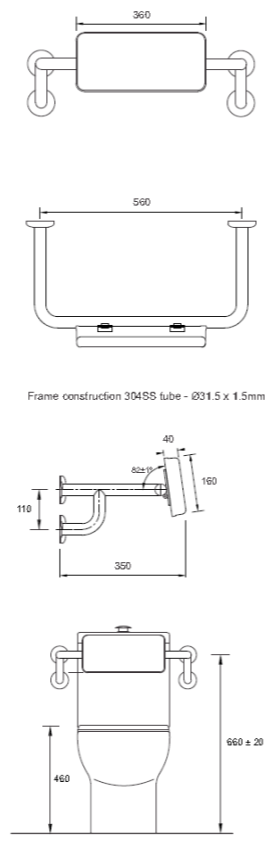
Residential Range

	VIENNA	MONTEGO SHROUDED	MONTEGO	DELMONTE	CENTREFLUSH
CODE	DVIENNASWH (S Trap) DVIENNAPWH (P Trap)	MTSDFPPSWH	MTDFPPSWH (S Trap) MTDFPPWH (P Trap)	DMDFPPSWH (S Trap) DMDFPPWH (P Trap)	CFDFPPSWH (S Trap) CFDFPPWH (P Trap)
DESIGN	Link suite	Link suite with shrouded pan	Link suite	Link suite	Adjustable link suite
FLUSH	4.5L/3L, adjustable to 6/3L	5.9/3.4L	5.9/3.4L	5.9/3.4L	6/3L, adjustable to 4.5L or 9L full flush
SETOUT	160–260mm (S Installation) or 180mm outlet height (P Installation)	175–230mm set out (S Installation)	150–205mm set out (S Installation) or 190mm outlet height (P Installation)	150–205mm	210mm (S Trap) 190mm high (P Trap)
INLET	Right or left bottom cistern inlets	Right or left bottom entry inlets	Right or left bottom entry inlets	Bottom right or left	Right or left
OUTLET	S or P Trap	S or P Trap	S or P Trap	S or P Trap	S or P Trap
OTHER	Includes plastic cistern, vitreous china pan and Dux Royal seat. Detachable cistern mounting bracket for easy wall installation.	Includes plastic cistern, vitreous china pan and Dux Classic seat.	Includes plastic cistern, vitreous china pan and Dux Classic seat.	Includes plastic cistern, vitreous china pan and Dux Twinline seat.	Includes plastic cistern, vitreous china pan and Dux Regent seat.



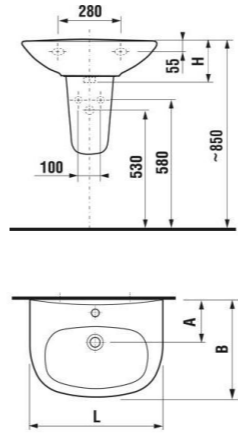
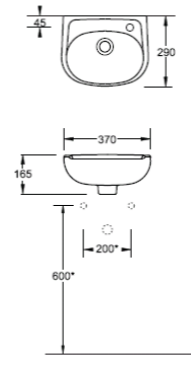
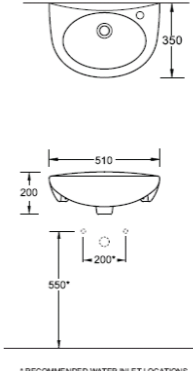
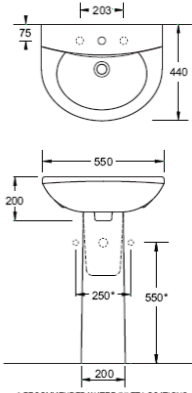
Lifestyle Range

	ASSIST	VIENNA
CODE	DCLASSIST	VIENNALIFE-S
DESIGN	Integrated chrome flush buttons and raised height shrouded pan	Integrated buttons in a plastic cistern and a raised height shrouded pan
FLUSH	4.5/3L, adjustable to 6/3L	4.5/3L, adjustable to 6/3L
SETOUT	240–290mm (S Trap)	210–260mm (S Trap)
INLET	Bottom right or left	Bottom right or left
OUTLET	S Trap	S Trap
OTHER	Backrest available Vitreous china cistern.	Raised height shrouded pan. Durable polypropylene seat with integrated skirt.

Commercial Care Range

	ASSIST	VIENNA	VIENNA DISABLED	ASSIST BACKREST
				
CODE	DDASSIST	VIENNACOM-S	VIENNADIS-S	BR1002
DESIGN	Raised height buttons and shrouded pan with stability seat	Raised height buttons and shrouded pan with stability seat	Raised height buttons with raised height shrouded pan and Dux Classic seat	A universal design to suit most commercial care toilet suites
FLUSH	4.5/3L, adjustable to 6/3L	4.5/3L, adjustable to 6/3L	4.5/3L, adjustable to 6/3L	
SETOUT	240–290mm (S Trap)	210mm–260mm (S Trap)	210mm–260mm (S Trap)	
INLET	Bottom right or left	Bottom right or left	Bottom right or left	
OUTLET	S P Trap	S or P Trap	S or P Trap	
OTHER	Backrest available Vitreous china cistern	Raised height vitreous china pan	Raised height vitreous china pan	
				

Basin Range

ZETA WALL HUNG	AIDA WALL HUNG	ANNIE WALL HUNG	WENDY WALL HUNG
			
ZETA50BASIN ZETA50SHROUD	DCAWB1TH	DCANWB1TH	DCWWB1TH
Optional shroud to cover and protect plumbing. Wall hung basin is shown with Dux Chrome Bottle Trap (not included)			
			
A – 190mm B – 400mm L – 500mm	* RECOMMENDED WATER INLET LOCATIONS	* RECOMMENDED WATER INLET LOCATIONS	* RECOMMENDED WATER INLET LOCATIONS
			
	MOUNTING BOLT DETAIL		
Size: 500mm x 400mm	Size: 370mm x 290mm	Size: 510mm x 350mm	Size: 550mm x 440mm

Macerator Pump & Lifting Station



Ciclon LS PUMPING STATION

- Creates a laundry or kitchen area with sinks, washing machine or dishwasher
- Two 40mm top connections and three 40mm lateral connections with a non-return valve
- Pumps up to 7m vertical or maximum 72m horizontally

Order Code: DCEB-705



Ciclon L SANITARY MACERATOR

- Transforms any area into a complete bathroom with toilet, basin and shower/bath
- One toilet pan connector and two 40mm side inlets for basin, bidet, shower or bath
- Pumps up to 6m vertical or maximum 62m horizontally

Order Code: DCT-604

WARRANTY

Our commitment is to provide you with the best products and service. At Dux we pride ourselves on supplying products that comply to all applicable specifications and which will provide you or your customers years of long lasting reliable service. Our reputation underpins our product quality and warranties.

All products supplied by Dux are warranted when installed in accordance with installation instructions and are covered by the New Zealand Consumer Guarantees Act 1993. Different product types have specific warranty inclusions, terms and conditions. For full warranty details please visit www.dux.co.nz/warranty

0800 367 389

www.dux.co.nz


by **alixis**