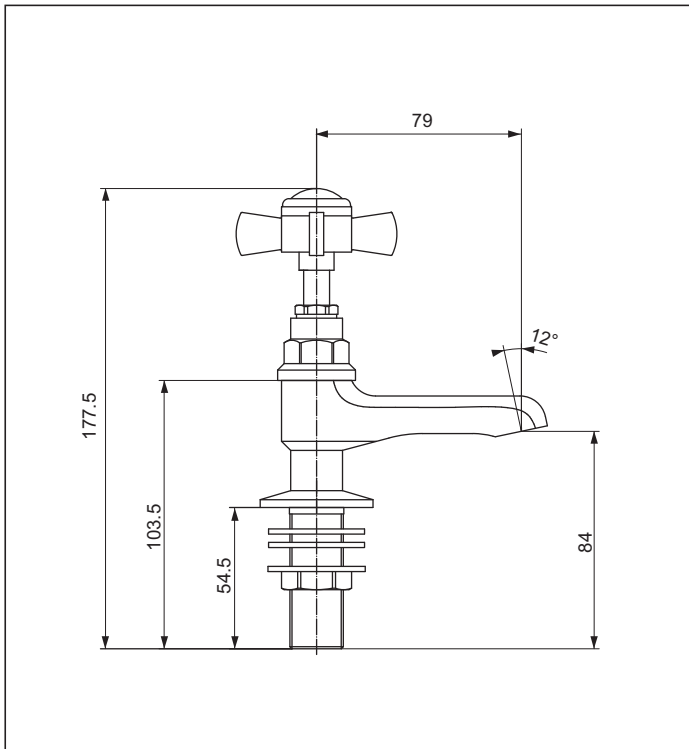


# Deja Vu

## Basin Taps Cross Handle



**Code:** DJ 2BAST

**Finish:** Chrome

**Sold as a pair**

**Mechanism:** 90° Custom Ceramic mechanisms

**Spout:** Cast brass. Fixed

**Body:** Chrome plated brass

**Handle:** Chrome plated, Brass

**Water Inlet:** 1/2" BSP Thread: male

**Water Outlet:** Open Spout

**Mounting:** Installation Hole Diameter: Minimum: 21mm  
Maximum: 30mm

Mounting Hardware: Tube: 1/2" BSP  
Plastic locking Nut: 25mm A/F  
Rubber Washer

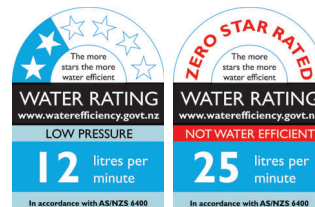
Supplied with base seal

**Flow Control:** Only by tap adjustment

**Water Flow:** Max flow @ 35kPa = 9.5 l/min

### Suitable for low/unequal & mains pressure systems

Recommended Operational Pressure Range: 35 - 600 kPa  
Maximum Operating Temp: 80°C Never to Exceed: 1000 kPa



aquatica



KIWI OWNED COMPANY

NZ • DESIGNED  
• ASSEMBLED  
• TESTED

**Aquatica NZ Limited**

9 Saunders Place,  
Avondale, Auckland.  
Tel: 09-828 2068,  
Fax: 09-828 2069  
Email: info@aquatica.co.nz  
or visit our website:  
**www.aquatica.co.nz**

© copyright Aquatica 2019