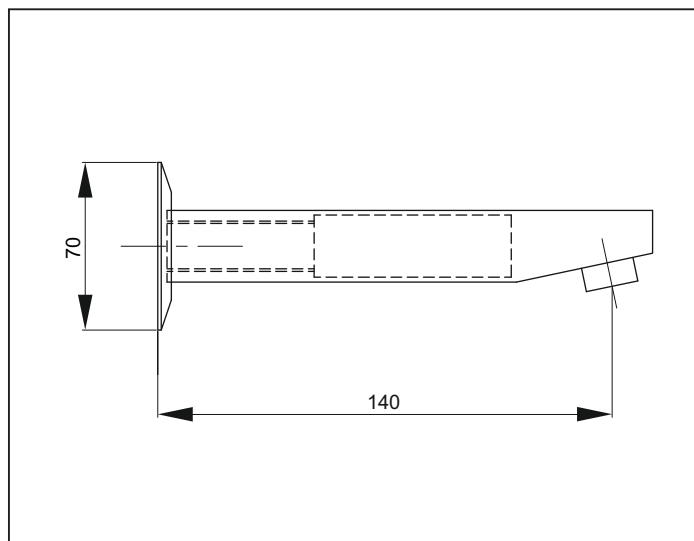


# Xera

## Bath Spout



**Code: BS XERA150** 1/2" BSP female inlet, 165mm long

**Finish:** Chrome

**Inlet:** 1/2" BSP Female

**Installation Hole Diameter:** Minimum: 21mm  
Maximum: 40mm

**Water Outlet:** M24 Aerator

To fit spout, screw torque arm into Aerator thread

### Suitable for low/unequal & mains pressure systems

Recommended Operational Pressure Range: 35 - 600 kPa  
Maximum Operating Temp: 80°C Never to Exceed: 1000 kPa

No WELS rating required

aquatica



KIWI OWNED COMPANY

**NZ** • DESIGNED  
• ASSEMBLED  
• TESTED

**Aquatica NZ Limited**

9 Saunders Place,  
Avondale, Auckland.  
Tel: 09-828 2068,  
Fax: 09-828 2069  
Email: info@aquatica.co.nz  
or visit our website:  
[www.aquatica.co.nz](http://www.aquatica.co.nz)

© copyright Aquatica 2019