

**Product**

- Avid® wall mount single lever basin mixer

**Kohler Code**

97358T-4ND\*



**Included Components**

- In wall valve
- Spout

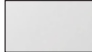
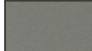
**Features**

- Polished Chrome or PVD Titanium finish
- Metal construction
- Ceramic disc cartridge
- Suitable for mains pressure
- KOHLER finishes resist tarnishing and corrosion



WELS RATING  
(5 Star 6.0 Litres / min)

**Finish Options** (Colour swatches indicative only)

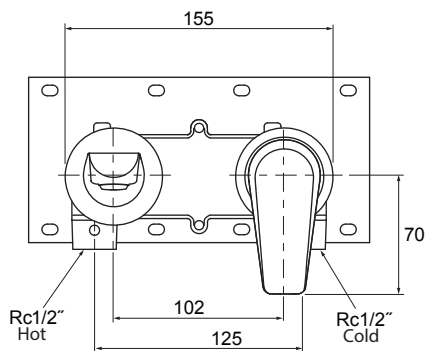
-  97358T-4ND-CP - Polished Chrome
-  97358T-4ND-TT - PVD Titanium

**Related Products**

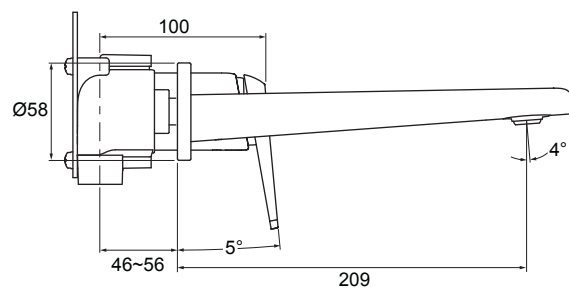
- Avid accessories
- Avid tapware

**Technical Details**

Front View



Side View



**Installation Notes:**

- Rc 1/2" female inlets.
- Optimum working pressure 300-500 kPa.
- Maximum hydrostatic pressure 800 kPa (This pressure may be exceeded only under test conditions).
- Maximum temperature 80°C.
- Where normal working pressure exceeds the maximum, pressure limiting valves should be installed.
- Inline filters should be used to protect tapware from debris that may be present within the plumbing.