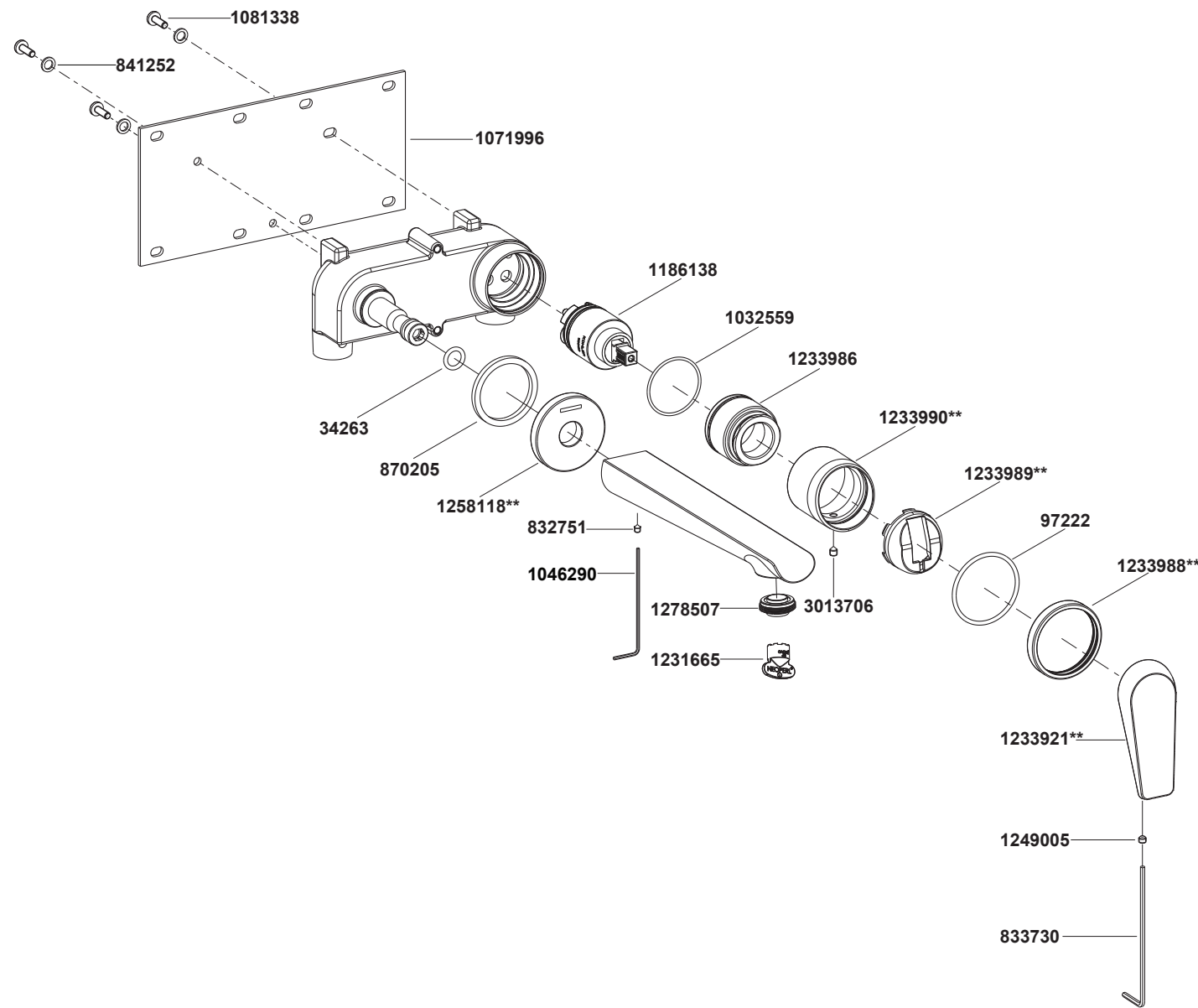


**97358T-4ND Wall Mount Basin Set**



\*\*Color code must be specified when ordering.

**97358T-4ND Wall Mount Basin Set**

**BEFORE YOU BEGIN**

All information is based on the latest product information available at the time of publication. Kohler Co. reserves the right to make changes in product characteristics, packaging, or availability at any time without notice.

Please leave these instructions for the consumer. They contain important information.

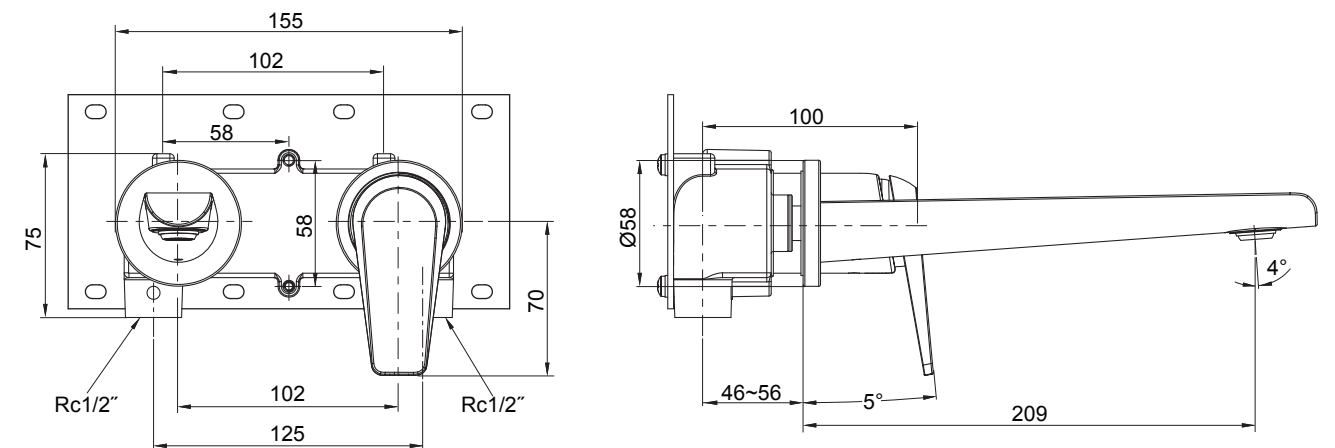
**NOTES:**

1. Flush the water supply pipes thoroughly to remove debris.
2. An inline water filter must be used with this product.
3. Inspect the supply tubing for damage. Replace as necessary.
4. Observe local plumbing codes.
5. Check for leaks before covering the pipes, repairs as needed.
- 6. Inlet threads of body are Rc1/2".**
7. Please ensure only apply water pressure test on the product, and empty the air in pipe and faucet thoroughly before the test. Please ensure test pressure below 0.8MPa(8bar) and test duration within 30 minutes.
8. All installations should comply with the relevant requirements of AS/NZS 3500 and AS/NZS 6400.

**HANDLE OPERATION**

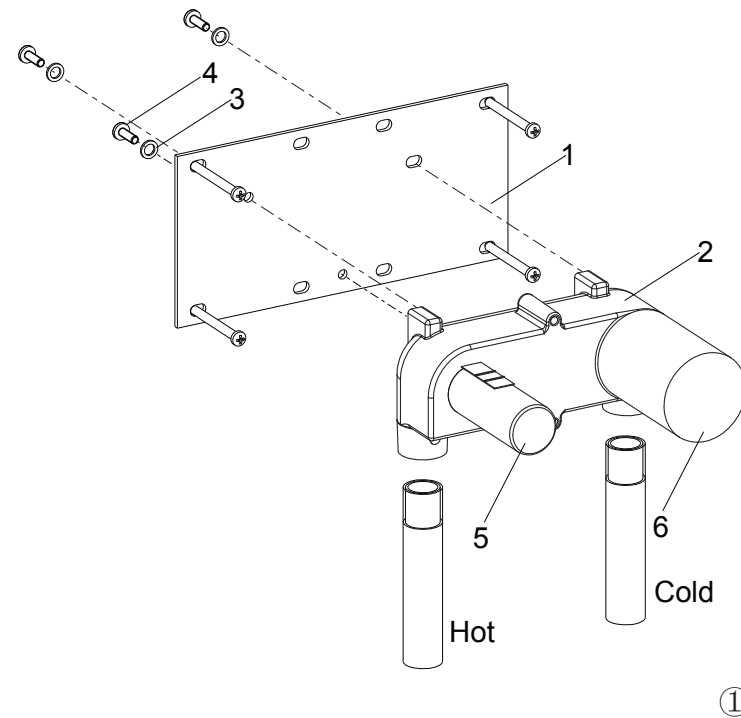
Lift the handle gently, turn clockwise for hot water, counter-clockwise for cold water.

**ROUGH-IN DIMENSIONS**



**97358T-4ND**

## INSTALLATION



### How to Install the Body

Construct a suitable wall frame for the mounting plate(1). Make sure that the frame is horizontal and correct.

Fix the mounting plate to the valve body(2) with the washers(3) and three fixing screws(4). Be sure the protectors (5, 6) face front and inlet of the valve body with red dot is on the left.

The outer surface of the finished wall should be between the MAX and MIN marks on the protectors(5).

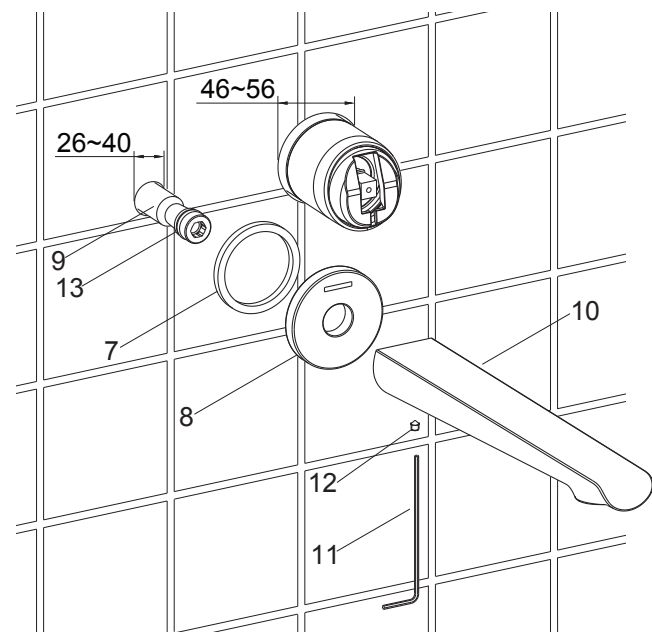
Fix the mounting plate and valve body to the wall frame.

**NOTE:** Ensure the centerline of valve is perpendicular to the wall. Make sure that the valve body is straight and horizontal. Make sure that the frame is horizontal and correct.

Connect Rc1/2" hot and cold supplies to the body as shown. Connect hot supply to the left inlet with the red mark.

During installation, the protectors remain on the valve body.

①



### How to Install the Handle and Spout

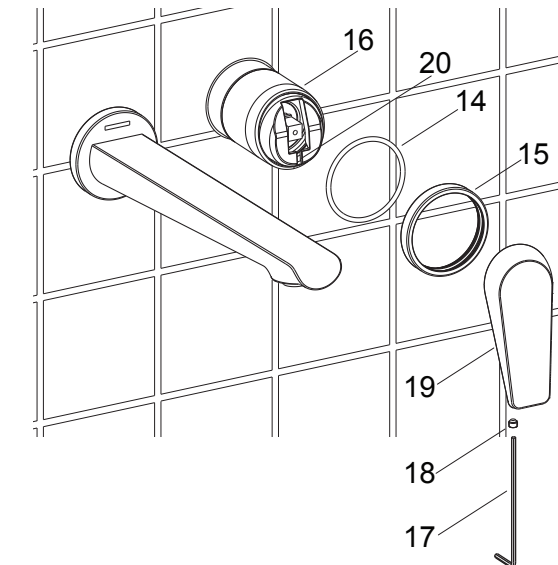
Remove the protectors after the wall is finished.

Slide the washer(7) into the groove of the escutcheon(8). Slide the escutcheon onto the connector(9) until it is against the wall.

Loosen the screw(12) in the spout with hex wrench(11). Slide the spout onto the connector with its outlet downwards. Tighten the screw to secure the spout.

**NOTE:** Don't damage the O-ring(13) on connector.

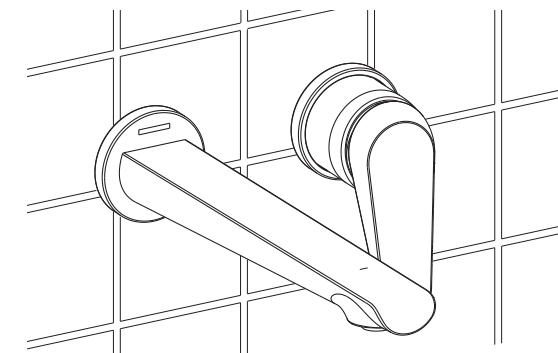
②



Slide the escutcheon(15) with O-ring(14) onto the valve base(16).

Turn off the valve, and loosen the screw(18) in the handle with 2.5mm hex wrench(17). Install the handle(19) onto the valve body with it downwards. Lift the handle, align the hex wrench with the slot(20) in the bonnet and the hole in the handle. Tighten the screw.

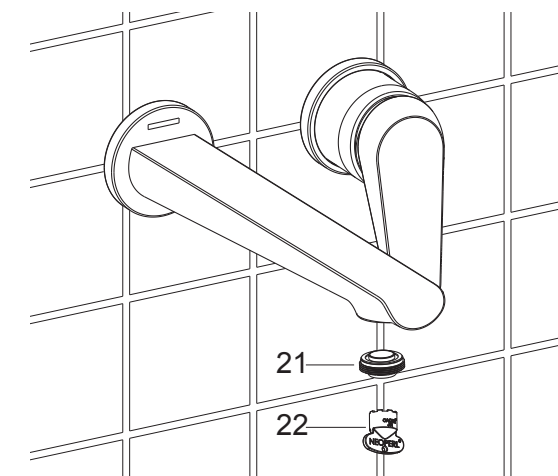
③



④

The illustration shown is the correct position of the spout and handle when the installation is completed.

## INSTALLATION CHECKOUT



Ensure that all coupling nuts are tight. Ensure that the lever handle is in the off position.

Turn on the main water supply and drain, and check for leaks. Repair as needed.

Remove the aerator(21) by key(22). Run hot and cold water through faucet for about one minute to remove any debris.

Remove any debris from the aerator. Shut off the faucet. Reinstall the aerator.

## CLEANING INSTRUCTIONS

All Finishes: Clean the finish with mild soap and warm water. Wipe entire surface completely dry with clean soft cloth. Many cleaners may contain chemicals, such as ammonia, chlorine, toilet cleaner etc, which could adversely affect the finish and are not recommended for cleaning.

Do not use abrasive cleaners or solvents on Kohler faucets and fittings.