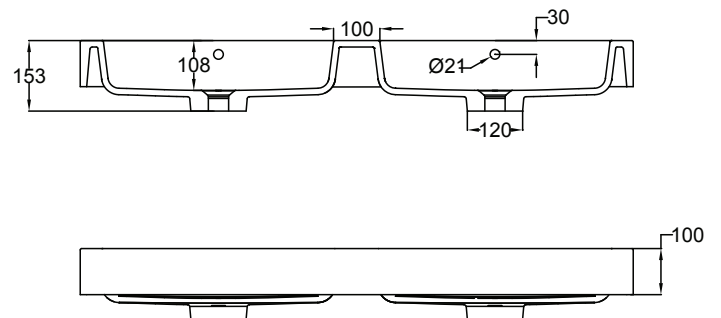
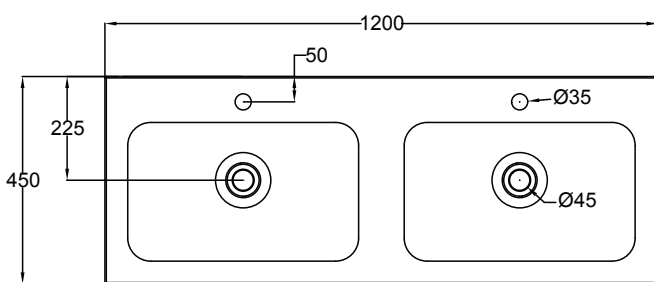


SP120D4FLDB/SP120D4FLDBM
SPLASH
 1200, 4 DRAWER, DOUBLE BOWL

vcboc
 F O R B A T H R O O M S

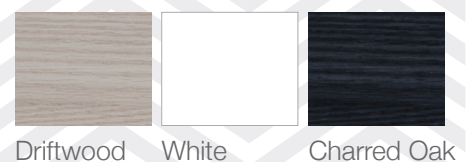


Splash Basin

NB: Drawings indicate the technical measurements only and is not a reflection of how the unit will look.

SP120D4FLDB/SP120D4FLDBM
SPLASH 1200, 4 DRAWER, DOUBLE BOWL

FINISHES

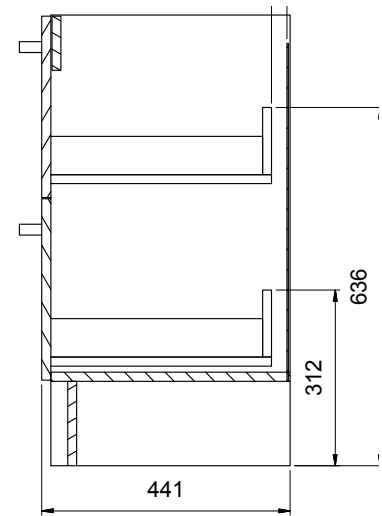
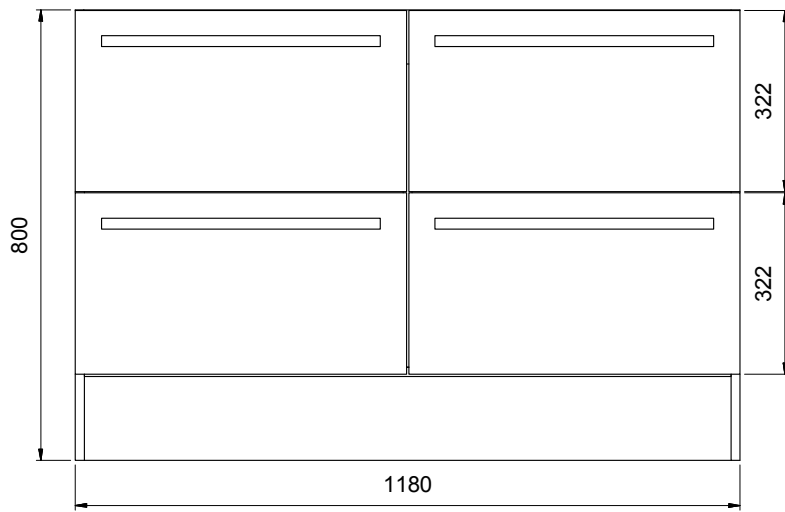


- Dimensions - W 1200mm H 900mm D 450mm
- Polymarble top. Polymarble is a composite product and is very durable.
- Paint - The paint used on our products is polyurethane or UV based. It is five times harder and more durable than lacquer finishes. White only.
- TIMBER EFFECT (Melamine)- Our woodgrain melamine is a low pressure laminate. Two colours are available Charred Oak and Driftwood.

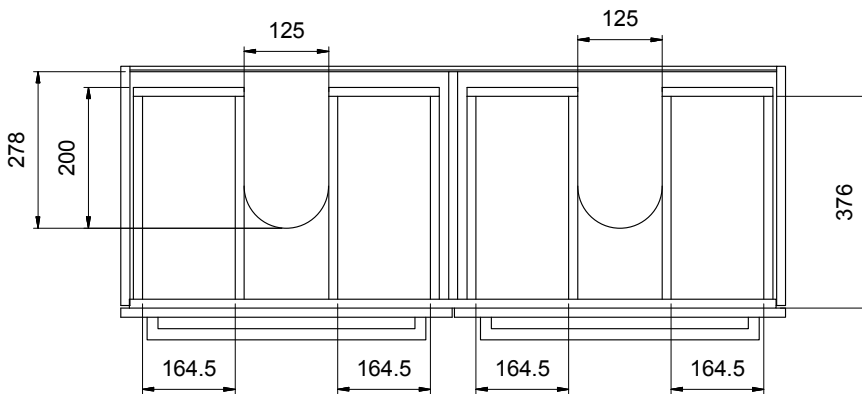
SP120D4FLDB/SP120D4FLDBM
SPLASH
1200, 4 DRAWER, DOUBLE BOWL



Splash Cabinet



SPLASH Floor Drawer Units Side View



SP120D4FLDB Top View Showing Drawers

NB: Drawings indicate the technical measurements only and is not a reflection of how the unit will look.