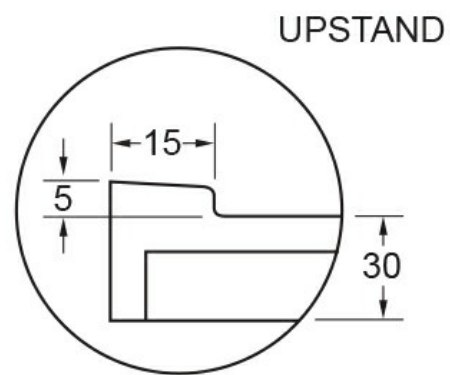
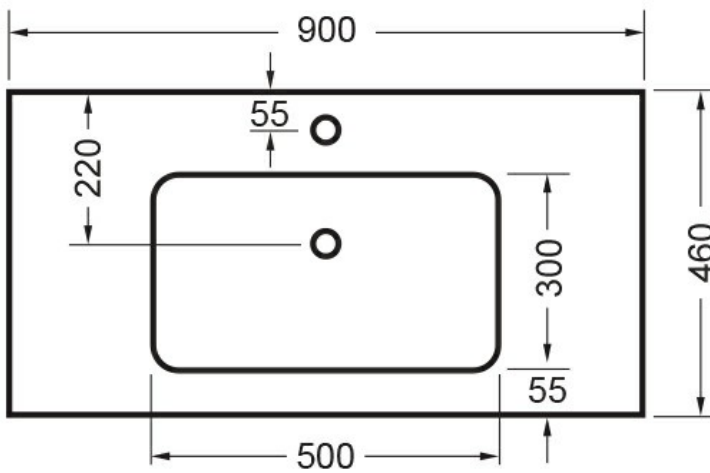
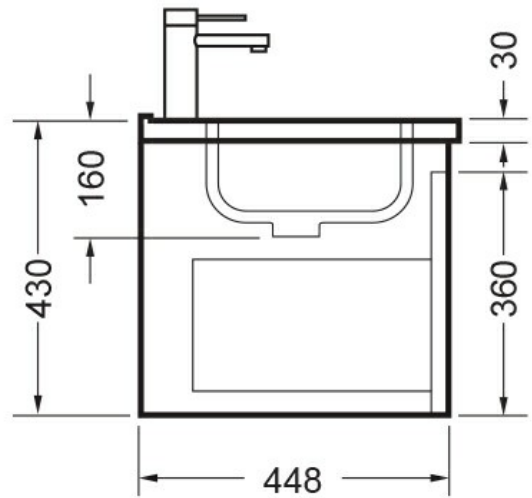
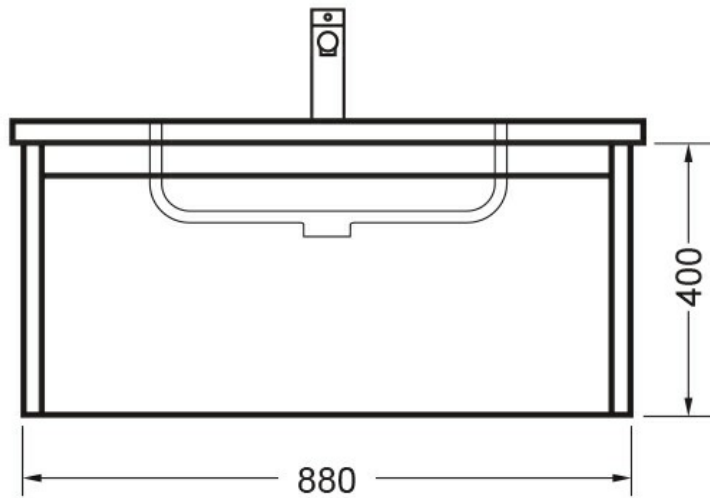


NOVARA WALL VANITY 900 1X DRAWER - POLYMARBLE DEZIGNA
WHITE GLOSS

ELEMENTI

87430.11



Residential/Light Commercial

Suitable for Residential/Light Commercial Use (Kitchens, Bathrooms and Laundries in Motels, Hotels and Retirement Villages)

5

Guarantee

5 Year Guarantee (Basin & Cabinet)

10

Guarantee

10 Year Guarantee (Tavolo Top)



Hafele Lifetime Warranty

All Hafele Hardware comes with a Lifetime Warranty.



Delivery

Minimum 15 working days



Moisture Resistant

Made from Moisture Resistant Board





Soft Close Drawer
System

Incorporates Hettich Soft Close Drawer System.



Environmental
Choice

Product manufactured predominantly from sustainably grown New Zealand plantation pine forests and is Environmental Choice Certified.



Made in New
Zealand

Crisp lines, a clean finish and impressive features are what defines the Novara vanity range.