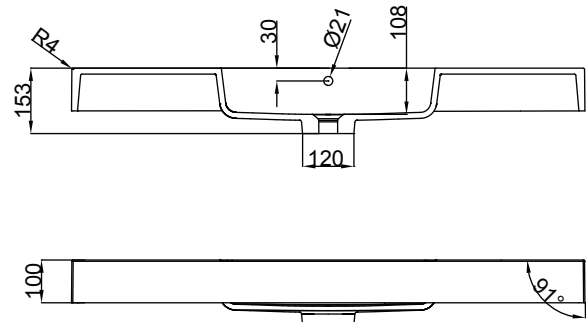
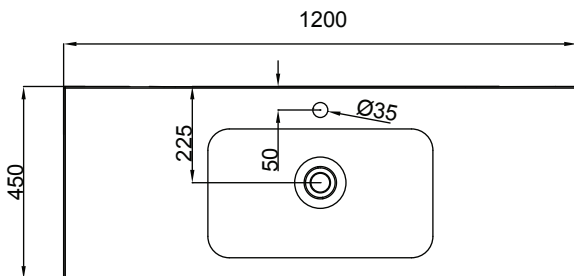


SP120D2FL/SP120D2FLM  
**SPLASH**  
 1200, 2 DRAWER

**vcboc**  
 F O R B A T H R O O M S



Splash Basin

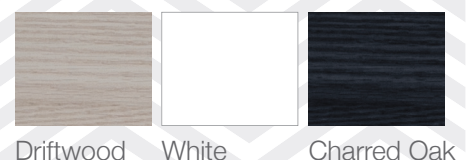


NB: Drawings indicate the technical measurements only and is not a reflection of how the unit will look.

**SP120D2FL/SP120D2FLM**  
**SPLASH 1200, 2 DRAWER**

- Dimensions - W 1200mm H 900mm D 450mm
- Polymarble top. Polymarble is a composite product and is very durable.
- Also available as a wall unit.
- Paint - The paint used on our products is polyurethane or UV based. It is five times harder and more durable than lacquer finishes. White only.
- TIMBER EFFECT (Melamine)- Our woodgrain melamine is a low pressure laminate. Two colours are available Charred Oak and Driftwood.

**FINISHES**



Driftwood

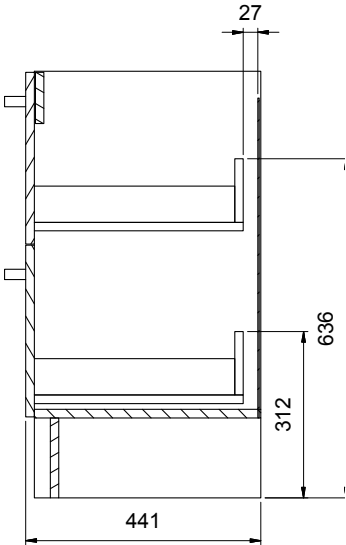
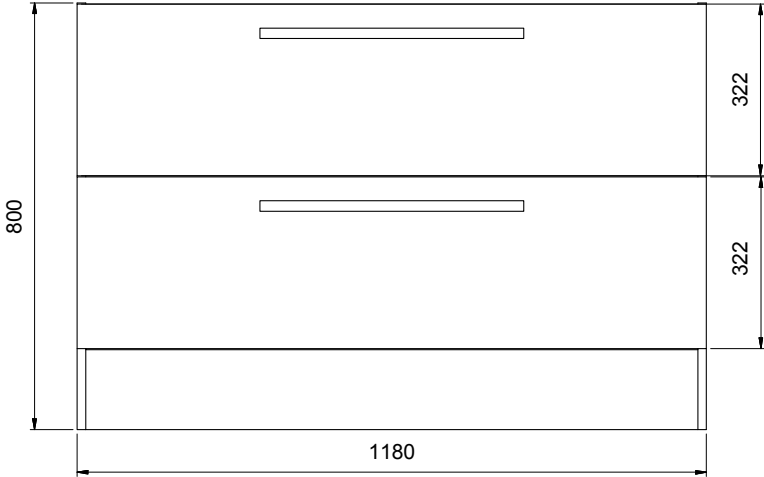
White

Charred Oak

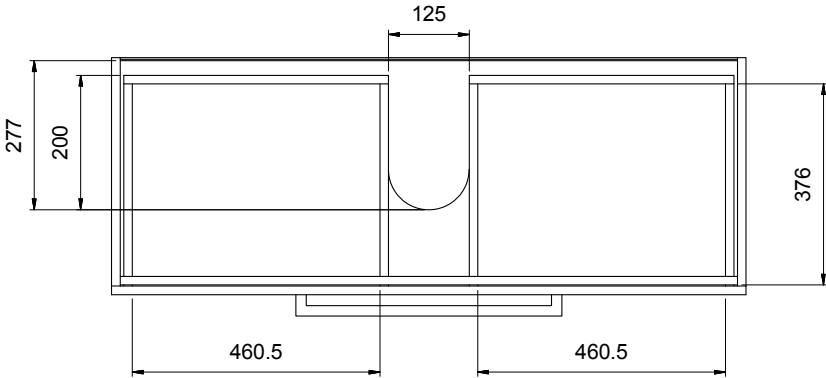
SP120D2FL/SP120D2FLM  
**SPLASH**  
1200, 2 DRAWER



Splash Cabinet



SPLASH Floor Drawer Units Side View



SP120D2FL Top View Showing Drawers

NB: Drawings indicate the technical measurements only and is not a reflection of how the unit will look.