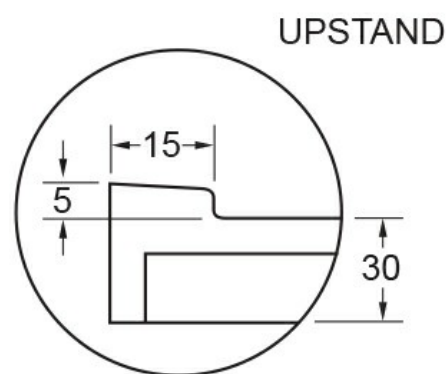
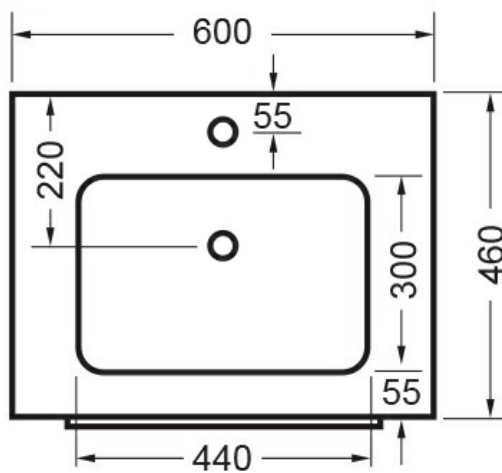
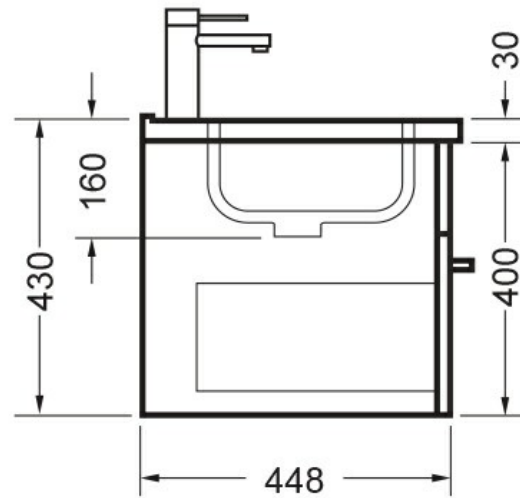
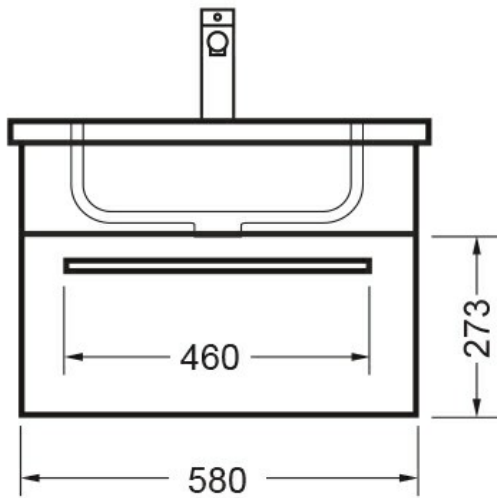


VERONA WALL 600 1 X DRAWER - DEZIGNA WHITE GLOSS
POLYMARBLE

ELEMENTI

81410.11



Residential/Light Commercial

Suitable for Residential/Light Commercial Use (Kitchens, Bathrooms and Laundries in Motels, Hotels and Retirement Villages)



Guarantee

5 Year Guarantee



Hafele Lifetime Warranty

All Hafele Hardware comes with a Lifetime Warranty.



Delivery

Minimum 15 working days



Moisture Resistant

Made from Moisture Resistant Board



Soft Close Hinges

Incorporates Hettich Soft Close Hinges.





Environmental
Choice

Product manufactured predominantly from sustainably grown New Zealand plantation pine forests and is Environmental Choice Certified.



Made in New
Zealand

Crisp lines, a clean finish and impressive features are what defines the Verona vanity range.