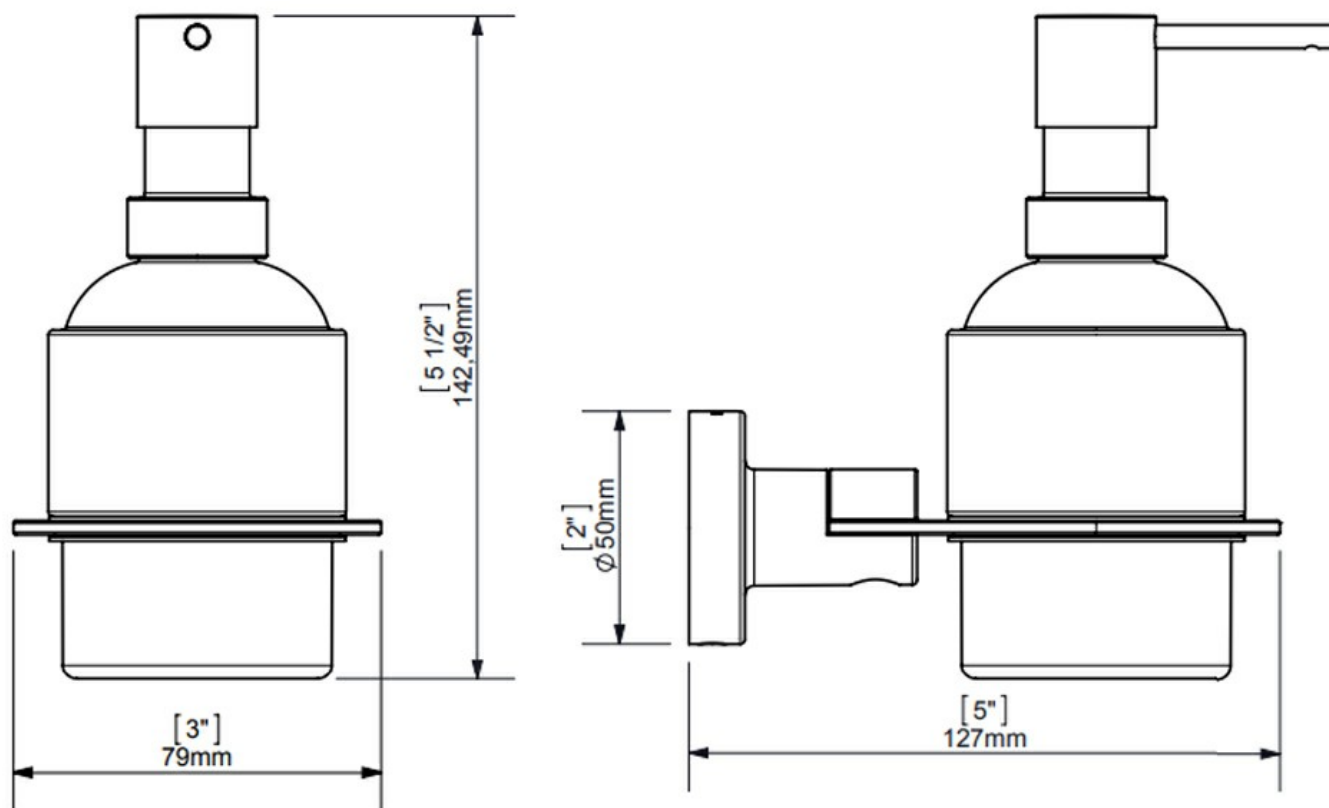


PROJECT SOAP DISPENSER WALL MOUNTED -
CHROME

ELEMENTi

60920.02



Residential/Light Commercial

Suitable for Residential/Light Commercial Use (Kitchens, Bathrooms and Laundries in Motels, Hotels and Retirement Villages)

10

Guarantee

10 Year Guarantee



Galvanic Plating Process

CHROME: Galvanic plating process. Covering with 0,3 – 0,4 microns chrome average. Items are tested as per Norm En 246 with salt spray chamber – 240 hours (equivalent to 6 years)



Galvanic Plating Process

BRUSHED NICKEL: Galvanic plating process protected with transparent lacquer coating (thickness 40-50 microns) . 120 Hours salt spray tested (equivalent to 2 years resistance)





Powder Coating

BLACK: Epoxy powder coating. Cured at 200°. Coating thickness 50- 60 microns. 240 Hours salt spray tested (equivalent to 6 years corrosion resistance)



Made in Spain



**Galvanic Plating:
Brushed Brass**

Galvanic plating process protected with transparent lacquer coating (thickness 40-50 microns). 120 Hours salt spray tested (equivalent to 2 years resistance).

Project is a sleek, minimalist styled accessory range that will compliment your new bathroom.