

INSTALLATION INSTRUCTIONS

Important Information

- * Do not install this unit facing a mirror or any other electronic system operated by an infra-red sensor. To prevent reflection problems, it is recommended to keep a minimum distance of 1.5m between the soap dispenser and any other objects. Wearing high-vis clothing in front of the sensor can also cause accidental sensor activation.
- * The sensor window height is 18mm from the base and needs a clear space in front to operate properly. If the soap dispenser is to be installed behind an inset basin and the sensor window will be blocked, a matching riser piece can be purchased to raise the tap higher by 60mm.
- * The mounting hole in the deck - Ø25-26mm.
- * The maximum deck thickness - 45mm.
- * Both water based & non-water based soap solutions can be used. Soap solution viscosity should be within 100 to 2500 cps. For high viscosity soap solutions, the foam level knob (30) must be set to minimum at '-' no air to enable smooth dispensing. For water based solutions, the foam level knob (30) must be turned anti-clockwise towards '+' max. air.
- * Soap control unit must be primed before first use and after every refill. Follow priming instructions, as shown in Fig.1.
- * The soap control unit (12) is mains powered only. Separate battery box is supplied which can be used as a battery backup.

Installation

- 1) Ensure 'O'ring (1) is fitted into groove in base ring (2).
- 2) Insert the soap tube (3), air tube (4) and sensor cable (5) through the hole of base ring (2). Pass base ring (2) through threaded tube (7) until the base ring (2) sits against bottom of sensor body (6).
- 3) Insert soap tube (3), air tube (4) and sensor cable (5) through the hole in the deck. Insert threaded tube (7) into deck hole, orientate sensor body as required. From under the deck, insert soap tube (3), air tube (4) and sensor cable (5) through flat seal (8), washer (9) and clamp ring (10) in order, then fit flat seal (8) followed by washer (9) over threaded tube (7) as shown in Fig. 2. Screw clamp ring (10) onto threaded tube (7) until it contacts washer (9) & the flat seal (8) has contacted the underside of the deck. Tighten two screws (11) equally until sensor assembly is clamped firmly to the deck. DO NOT OVERTIGHTEN.

4a) Soap control unit installation (Fixed Mounting):

For installation into solid walls; (brick, concrete etc.)

- i) Drill two Ø6mm holes, 40mm deep and 104mm apart horizontally as shown in Fig. 2.
- ii) Insert small end of wall plugs (15) into drilled holes and tap until flush with wall/tile face.
- iii) Align the slots on fixing plate (14) with the holes on the wall, pass the screws (13) through the slots and insert into the wall plugs (15). Then tighten the screws. DO NOT OVERTIGHTEN.

For installation into timber stud:

- i) Drill two holes at 104mm apart horizontally to suit the self tapping screws supplied as shown in Fig. 2.
- ii) Align the slots on fixing plate (14) with the holes on the wall, pass the screws (13) through the slots and insert into the holes in the stud. Then tighten the screws. DO NOT OVERTIGHTEN.

Fill full soap into bottle (16), then screw soap bottle (16) into the underside of soap control unit (12).

4b) Solenoid Control box installation (Removable):

Optional removable bracket (supplied) allows the control box to be lifted off quickly for easy access to solenoid and remove bottle.

- i) Remove the screws (28) using a phillips head screw driver.
- ii) Remove the wider fixing plate (14) and put it aside.
- iii) Take the narrower fixing plate (29) out of the bag, fit it at the back of the control box (12) by aligning the holes on the fixing plate (29) with the holes at the back of the control box (12). The cut-outs on the plate should be towards the bottom, as shown in Fig.7.
- iv) Fit the screws (28) and tighten, DO NOT OVERTIGHTEN.

For installation into solid walls; (brick, concrete etc.)

- i) Drill two Ø6mm holes, 40mm deep and 52mm apart horizontally as shown in Fig. 7.
- ii) Insert small end of wall plugs (15) into drilled holes and tap until flush with wall/tile face.
- iii) Insert screws (13) into wall plugs, screw them until the head is 6mm away from wall/tile face as shown in Fig. 7.
- iv) Mount the control box (12) onto the screws (13).

For installation into timber stud or MDF boards:

- i) Drill two holes at 52mm apart horizontally to suit the self tapping screws supplied as shown in Fig. 7.
- ii) Insert screws (13) into the holes, screw them until the head is 6mm away from wall/tile face as shown in Fig. 7.
- iii) Mount the control box (12) onto the screws (13).

For installation into timber stud or MDF boards:

- i) Drill two holes at 22mm apart vertically to suit the self tapping screws supplied as shown in Fig. 6.
- ii) Insert small end of wall plugs (23) into drilled holes and tap until flush with wall/tile face.
- iii) Align the slots on bracket (24) with the holes on the wall, pass the screws (25) through the slots and insert into the wall plugs (23). Then tighten the screws DO NOT OVERTIGHTEN.
- iv) Mount the battery box (26) onto wings of bracket (24).

For installation into timber stud or MDF boards:

- i) Drill two holes at 22mm apart vertically to suit the self tapping screws supplied as shown in Fig. 6.
- ii) Align the slots on bracket (24) with the holes on the wall, pass the screws (25) through the slots and insert into the holes in the stud. Then tighten the screws. DO NOT OVERTIGHTEN.
- iii) Mount the battery box (26) onto wings of bracket (24).

6) Connections :

a) Soap tube and air tube connections, (Fig. 2 & Fig. 5):

Identify the embossings "SOAP" & "AIR" under the soap unit (12). Press clip (20), slide the clip down the tube labelled "SOAP". Fit soap tube (3) onto the boss next to embossing "SOAP". Slide the clip up over the tube (3) and ensure clip (20) is fitted onto groove of the boss to prevent soap tube from being removed. In the same way, fit air tube labelled as "AIR" (4) onto the boss next to embossing "AIR".

b) Sensor cable connection, (Fig.2):

By aligning the profile of connectors (5) & (17), connect the sensor cable (5) from the outlet to the end of sensor cable (17) of soap control unit as shown in Fig. 2.

c) Power cable connection:

While aligning the 'D' profile of male and female connectors Connect male connector of power cable (22) to female connector (18) of soap control unit (12) as shown in Fig. 2. Connect male connector (19) from control unit (12) to female connector (27) of battery box (26). Ensure all cable connectors are pushed in fully.

7) Adding/Replacing batteries, (Fig. 6)

- 1) Remove screws (32) using a phillips head screw driver then put the screws aside, remove the cover of battery box.
- 2) The flat head screwdriver can be used in the battery box to prise the cover open.
- 3) Insert/replace 4 x 1.5V 'D' batteries following the "-" & "+" markings.
- 4) Fit the cover back on ensuring the seal is in place and compressed.

CAROMA

LIANO II HOB SENSOR SOAP DISPENSER

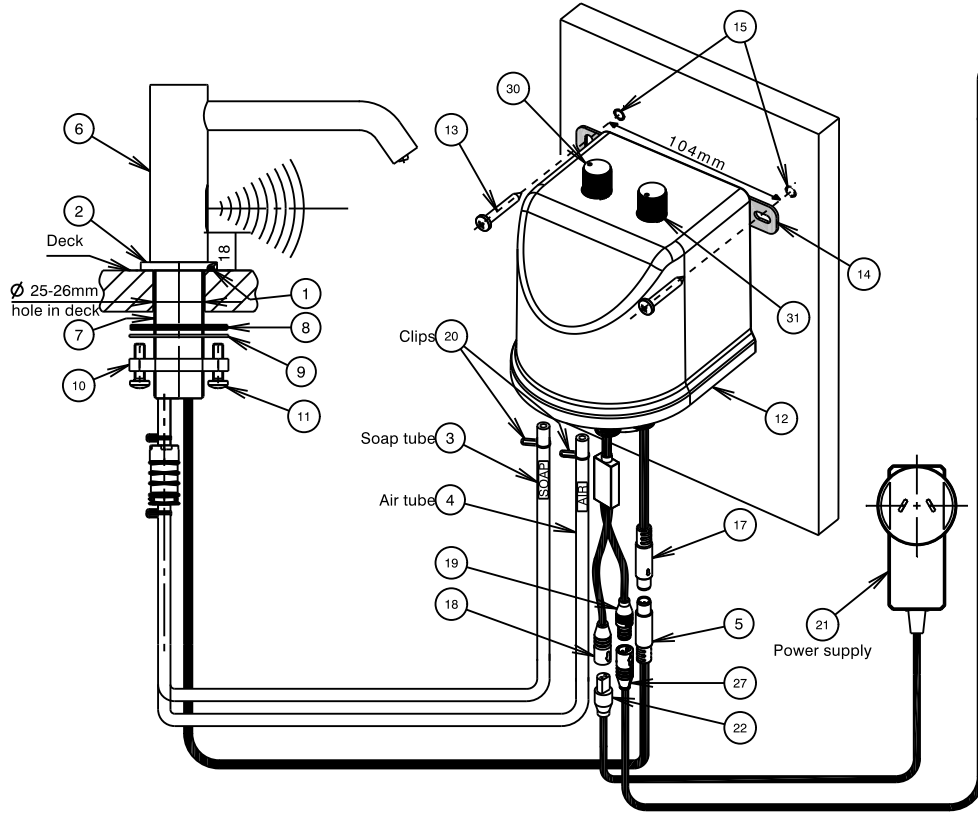


Fig. 2 - Sensor unit installation

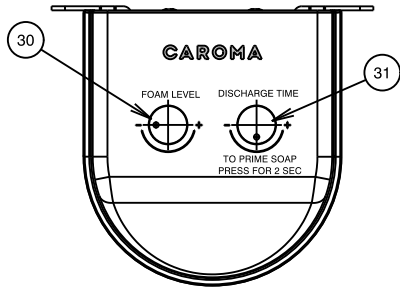


Fig. 1 - Soap control unit functions

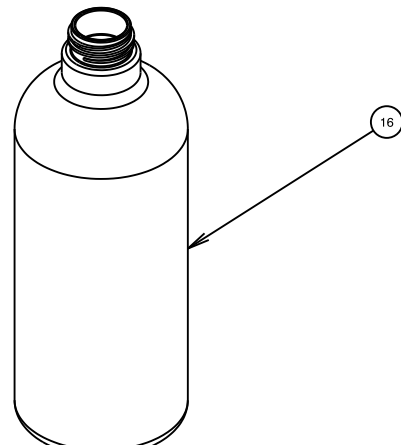


Fig. 3
Solenoid control box
installation (Fixed)

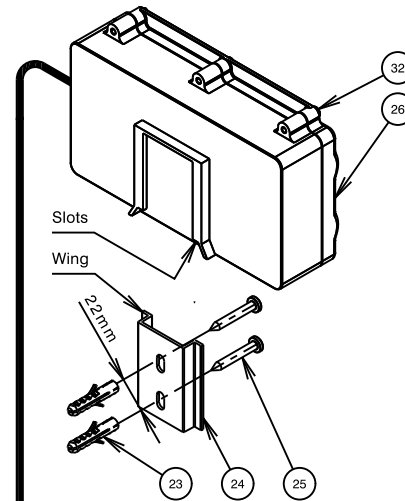


Fig. 6 - Battery box installation

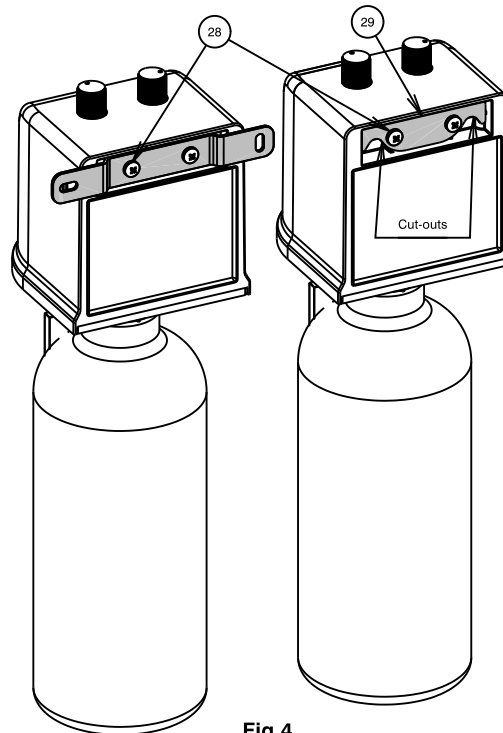


Fig. 4
Solenoid control box
Fixing plate removal

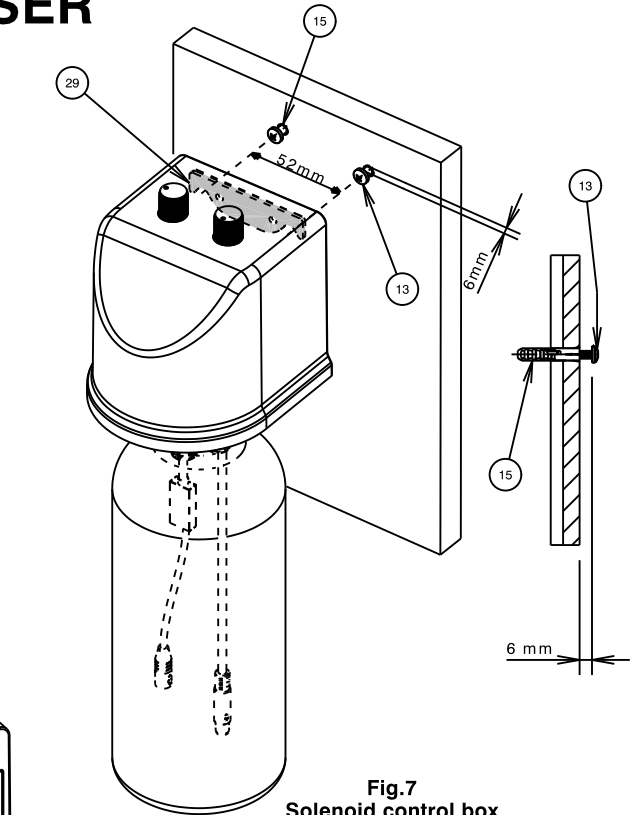


Fig. 7
Solenoid control box
installation (Removable)

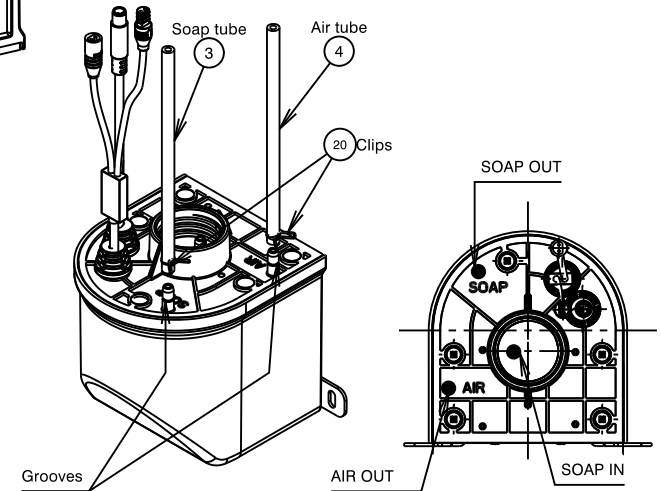


Fig. 5
Solenoid control box
Underside connections