

450 CABINET /

LAUNDRY

DESCRIPTION

450 Laundry Cabinet, 2 Drawers

PRODUCT CODE

VLUA45D2 / VLUA45D2M / VLUA45D2T

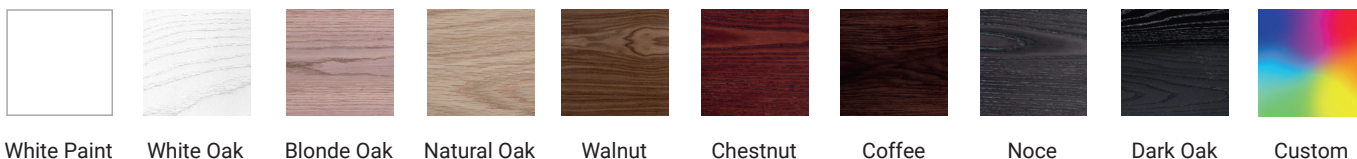


FEATURES

- Dimensions - W 450 x H 895 x D 590mm
- Available in White, Custom Colour Paint, Timber Veneer or Melamine.
- White Paint - The paint used on our products is polyurethane or UV based. It is five times harder and more durable than lacquer finishes.
- Timber Veneer - Finishes are 100% natural, so has variations in grain and colour. All come stained and sealed with a protective UV finish.
- Timber Effect Melamine - Our wood grain melamine is a low-pressure laminate.
- NZ-made cabinetry. Melamine units feature rail extrusions available in silver, black or melamine match. Timber veneer, custom or white painted units feature concealed 45° handles.
- **Kordura top (H 20mm) , tub and accessories all sold separately.*

FINISHES

Timber Veneer



Timber Effect Melamine



Please see reverse for technical drawings and measurements.

NOTES

See our website for product prices. Drawing indicates the technical measurement only and is not a reflection of how the product will look. Sizes are nominal only. All drawings in millimeters. Drawings not to scale. September 2021.

450 CABINET /

LAUNDRY

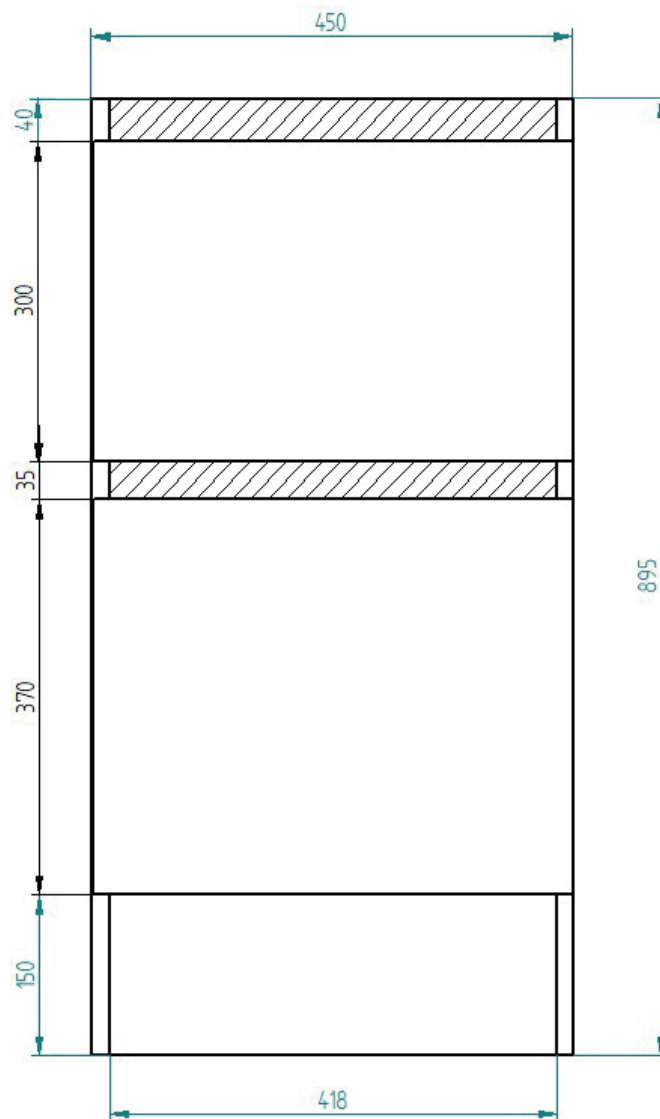
TECHNICAL DRAWINGS

450 Laundry Cabinet, 2 Drawers

PRODUCT CODE

VLUA45D2 / VLUA45D2M / VLUA45D2T

Front



NOTES

See our website for product prices. Drawing indicates the technical measurement only and is not a reflection of how the product will look. Sizes are nominal only. All drawings in millimeters. Drawings not to scale. September 2021.