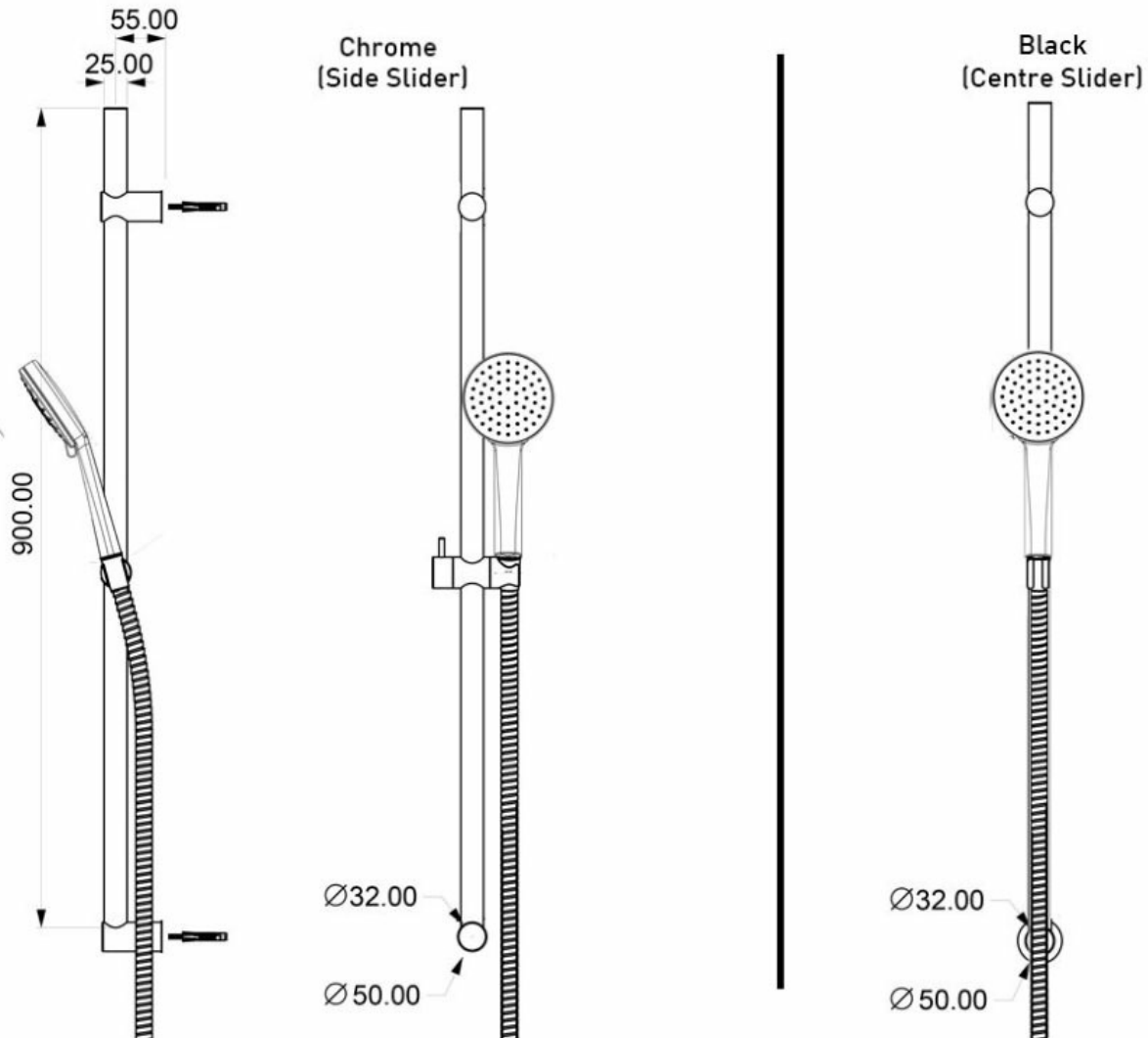


SPLASH SLIDE SHOWER 1 FCT C/W ELBOW - CHROME

40233.02

ELEMENTi



Residential/Light Commercial

Suitable for Residential/Light Commercial Use (Kitchens, Bathrooms and Laundries in Motels, Hotels and Retirement Villages)

2

Guarantee

2 Year Guarantee on Non Chrome finish

5

Guarantee

5 Year Guarantee



3 Star WELS rating

8 litres per minute.



Mains Pressure

Suitable for Mains Pressure.



Multi Pressure

Suitable for Multi Pressure.





Ribbed Hose

Flexible Ribbed Hose (Chrome only)



Aqua Air Technology

Air injected water offers a better showering experience using up to 50% less water. The air and water mix provides superb flow performance that is both soft and invigorating.



Adjustable Fixation

Ideal for renovations, many of our slide rails have adjustable fixings allowing you to fit existing fixings of the slide shower you are replacing.



Hardened Durable Finish

Black & Brushed Nickel Finishes involve a sprayed on Acrylic coating that is oven dried to produce the hardened durability finished product.



Wall Elbow

Water fed from separate elbow.



Hand piece

Includes Handpiece.



Soap Dish

Includes Soap Dish



Lever Slider

CHROME/BRUSHED NICKEL. Single lever to adjust slider to adjust hand piece height.



Centre Slider

BLACK ONLY. Adjustment slider that allows hand piece to be positioned centre of rail (not offset).



Smooth Hose

Smooth easy-clean hose with water tight seal and anti-twist feature (Brushed Nickle & Black only)



Aquabella Check Valve

All Aquabella hand showers are fitted with a Neoperl Combined Check Valve and Flow Regulator – Neoperl Part Number 31.2015.1 in accordance with the New Zealand Building Code.



Swiss Design

For gorgeous design and clever engineering, look no further than the Splash collection of showerheads, slide and column showers, designed to complement any bathroom environment.