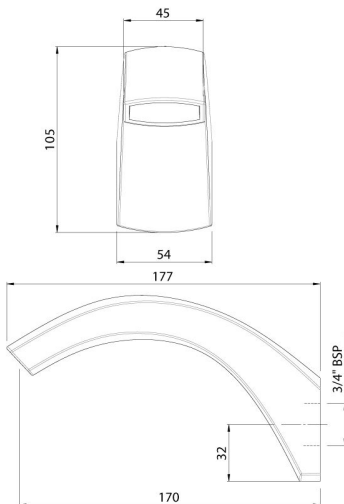


METHVEN BATH SPOUT



CONSTRUCTION: Brass body

CLASSIFICATION: Suitable for all pressure systems

PIPE CONNECTION: 3/4" BSP Female

WORKING PRESSURE: 35 - 1000 kPa

OPERATING TEMPERATURE: 5 °C - 80 °C

- Fixed wall mounted spout
- Cast brass
- 170mm spout projection
- 12mm hex in nipple

388CP

Chrome

<http://www.methven.com/nz/tapware/spouts/spouts-bath-spout>