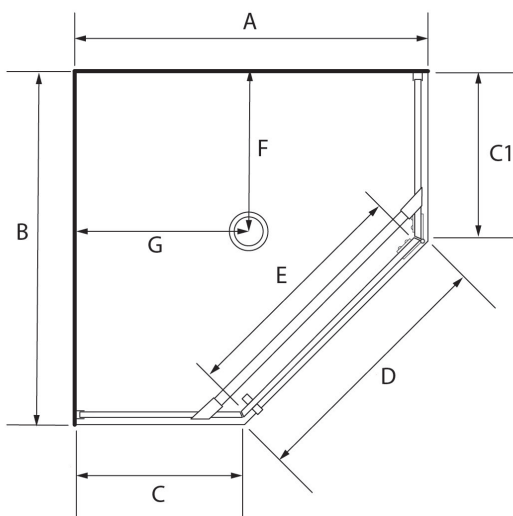


Premier Frameless Angle Corner Showers



Premier Frameless Angle Corner 1000 x 1000
Flat Wall Silva



DESCRIPTION

The Premier Frameless Angle Corner range of showers can be purchased as a complete shower cubicle including Acrylic Tray, Wall Liner and Door Pack.

The Door Pack and Tray can also be purchased as individual items for installation on a tiled floor and/or tiled wall.

SEE TILE SHOWER LAYOUT FOR SETOUT DIMENSIONS

The door is reversible - and closes to the glass return.

FEATURES

- Frameless design but fully watertight seals on door
- Total OVERALL height 2060mm
- 2000mm high glass
- Silva or Black extrusions and hardware
- Low profile tray with 40mm upstand
- 8mm Safety Glass
- Door closes to glass return
- Minimalistic extrusion allows adjustment to wall and floor
- No silicone joints required for glass

LEGEND

Dimension	Description	Size	
		900 x 900	1000 x 1000
A	Tray External Length Dimension	900mm	1000mm
B	Tray External Width Dimension	900mm	1000mm
C	Return Panel Dimension	405mm	470mm
C1	Hinged Panel Dimension	405mm	470mm
D	Door Panel Dimension	615mm	728mm
E	Door Opening Dimension	615mm	728mm
F	Centre Waste Position (length)	390mm	430mm
G	Centre Waste Position (width)	390mm	430mm

ORDERING CODES

PRODUCT DESCRIPTION	SKU CODE	
	900 x 900	1000 x 1000
Complete Cubicle SILVA	SPFA9X9SIFW	SPFA1X1SIFW
Complete Cubicle BLACK	SPFA9X9BLFW	SPFA1X1BLFW
Tray Only Centre Waste	TFS9X9ANGCW	TFS1000ANGCW
Liner Only 2000mm High Flat Wall	LB9X9FW2S2M	LB1X1FW2S2M
Door/Return Pack SILVA	DFA900SI2M	DFA1000SI2M
Door/Return Pack BLACK	DFA900BLK2M	DFA1000BLK2M

WARRANTY INFORMATION

All bathroomware products supplied by Nouera Shower Systems carry our Quality Assurance and Product Warranty. We use the highest quality materials available and manufacture these in accordance with New Zealand specifications and requirements to ensure that all products are fit for the intended purpose for which they are designed. Our customers peace of mind is of paramount importance to us.

Warranty Periods

Showers	10 years
Drop In baths	10 years
Shower Screens and Doors	10 years
Black Coating on Framework	5 years
Freestanding Baths	5 years
Accessories	2 years

Warranty Exclusions

The product must be installed according to the instructions supplied.

The water supply temperature applied to the product must not exceed 55 degrees Celsius.

Commercial applications (where products are installed in a building where occupancy is via a commercial arrangement i.e. rental property, hotel, hostel etc.) are restricted to a 2 year warranty on all products.



CLEANING AND MAINTENANCE

Bathroom products are used often and the following is our suggestion on how to clean and care for them.

Shower Wall

We use Durosan premium quality sanitaryware grade Acrylic. It is, by design, very robust and chemical resistant. A soft damp cloth with non-abrasive cleaners should be used. Use only non-abrasive cleaners that are recommended for acrylic products.

Shower Tray and Bath

We manufacture our Shower Trays and Baths using a Solid Acrylic Surface. Most other shower trays are manufactured using a veneer acrylic surface. The great advantage is that small scratches can be removed easily by using fine cutting compound. Again, the same basic cleaning methods as the wall are recommended.

Shower Doors and Glass

All glass is compliant to AS/NZS 2208. We suggest that the glass surfaces are wiped down or squeegeed following use to remove excess water. For best results use a trusted glass cleaner.

Metal Framework

Should be cleaned using a soft damp cloth with non-abrasive cleaner. Note that on round showers, the bottom rollers are easy release for ease of cleaning. If chemical spray cleaners are used, avoid direct contact with the rollers and guides and ensure the shower is rinsed off to avoid residue build up.

Weather Seals and Drip Strips

Can be removed if required for cleaning, and can be replaced when they no longer look their best. Refer to the spare parts and accessories section of our website for more details.

Note - If the Glass has been treated follow specific cleaning instructions from the system provider.