

Installation & User Guide

Dual-Flush

Two Piece Toilet

MILANO



**MIRAGE-S
MIRAGE-P**



DOMANI ELITE



**DELANO-S
DELANO-P**



Tools and Materials



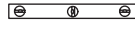
10" Adjustable Wrench



Supply Shut-Off Valve



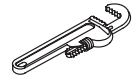
Tape Measure



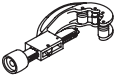
Level



Sponge



Pipe Wrench



Tubing Cutter



Safety Glasses



Drill and assorted bits

Plus:

- Connector
- Metal File
- 1/2" Nut Driver/Socket
- Hacksaw
- Screwdriver

Thank You For Choosing Englefield

Thank You For Choosing Englefield. We appreciate your commitment to Englefield quality. Please take a few minutes to review this manual before you start installation. If you encounter any installation or performance problems, please don't hesitate to contact us. Our phone numbers and website are listed on the back cover. Thanks again for choosing Englefield.

Before You Begin



CAUTION: Risk of personal injury or product damage. Handle with care. Vitreous china can break or chip if the product is handled carelessly.

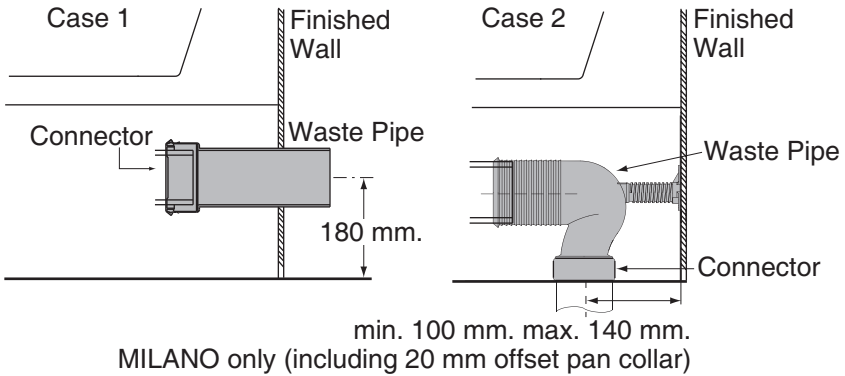
- Observe all local plumbing and building codes.
- Carefully inspect the new toilet for damage.
- If the existing toilet does not have a supply shut-off valve below the cistern, install one before installing the new toilet.
- Install sufficient backing behind the finished wall to provide a secure material for the anchoring devices.

Installation

- 1** Remove the existing toilet: Turn off the water supply and flush the toilet, then sponge out all remaining water from the cistern. Disconnect the supply shut-off valve (if present), and remove the old pan and cistern.

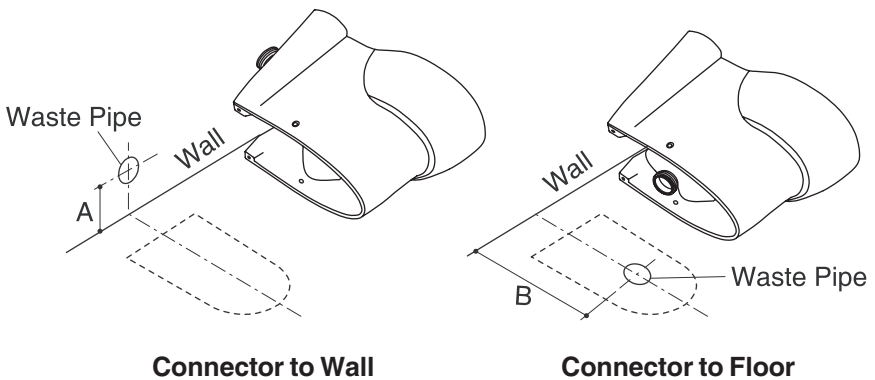
CAUTION: Risk of hazardous gases. If the new toilet is not installed immediately, temporarily stuff a rag in the closet flange.

- 2** Define the position of connector: Place the connector onto the pan, position between outlet and waste pipe.



For this model, there are two types of connector. You can choose one of the above pictures which is most suitable to your local plumbing and building codes.

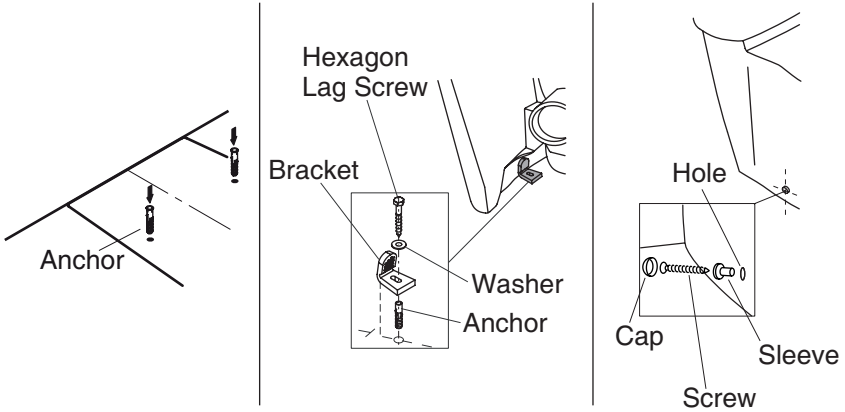
- 3** Position the template on the floor to ensure the rear pan against the wall. Mark the mounting hole centerline on the floor.



Floor fixing option

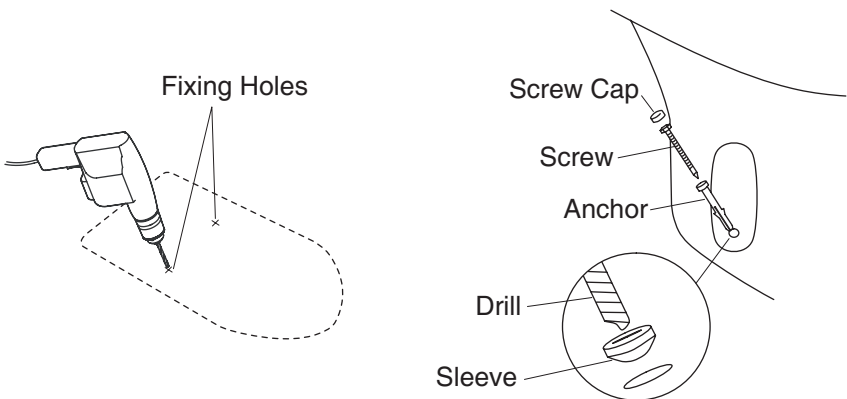
4 Bracket

Drill $3/8''$ (10 mm) mounting hole between the mark locations on the floor and insert the anchor. Install the washer and insert the hexagon screw into the bracket then tighten the screw. Install the sleeves, tighten the screw and attach the caps.

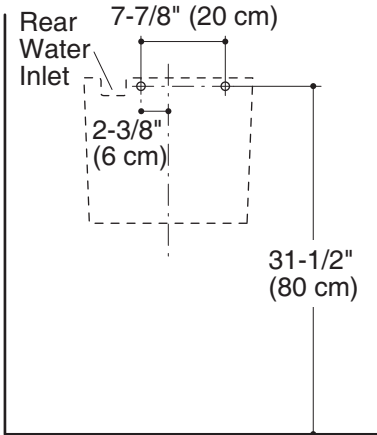


5 Screw

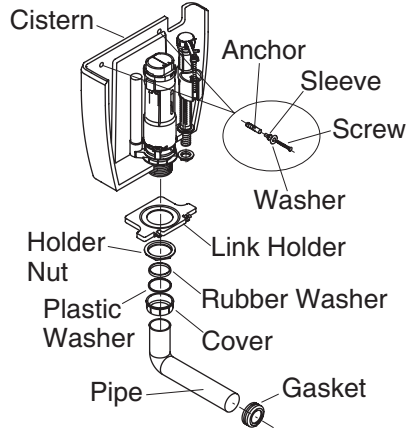
Drill $5/16''$ (8 mm) mounting hole at the marked locations. Insert anchors into the holes. Place the toilet and align anchoring holes position. Tighten screws and attach the bolt caps.



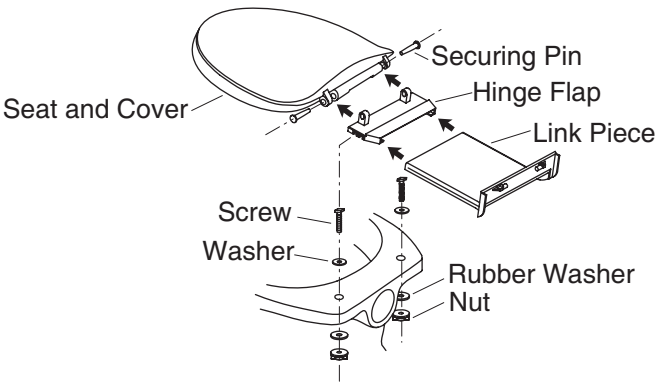
6 Cistern Mounting Hole: Install sufficient backing behind the finished wall. Mark the cistern mounting hole according to the rough-in. (Alpha cistern only)



7 Install the Cistern to Wall: Drill 15/16" (8 mm) mounting hole on mark location, insert the anchors. Position the cistern, tighten the screw and attach the caps. Assembly flush valve as picture below. (Alpha cistern only)



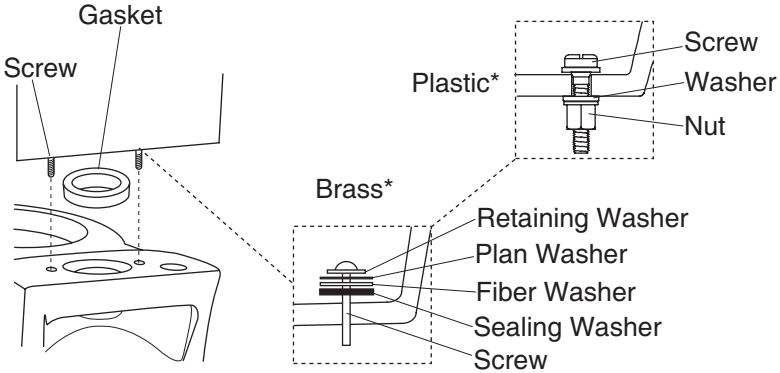
8 Install the New Pan: Assemble the hinge flap with securing pin. Insert the screw into the slot of hinge flap, insert washers through mounting holes. Insert rubber washer and position the hinge flap is properly and tighten the nuts to securing. **CAUTION: Risk of product damage.** Overtightening may cause breakage or chipping of the vitreous china. **NOTE:** Link piece may cut off the length to install properly. (Domani elite pan with Alpha cistern only.)



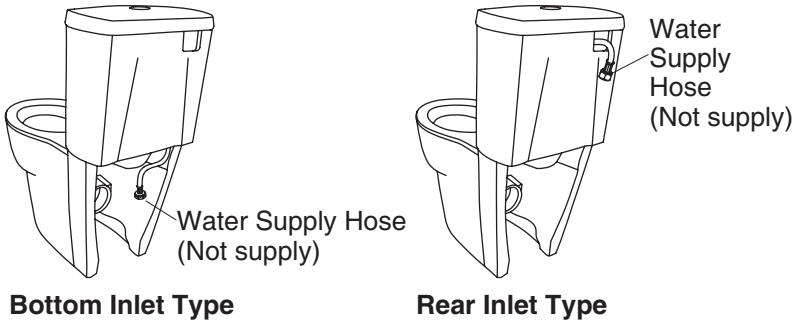
Tank fixing option

- 9** Position the cistern on the pan by centering the gasket on the pan inlet. Assemble the retaining washer and sealing washer to the screw. Securely tighten the screw so the cistern is level.

* Optional for different product

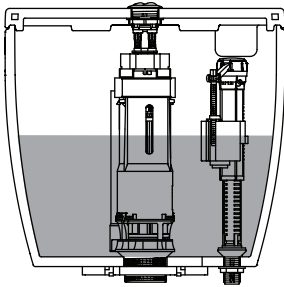


- 10** Connect the supply shut-off valve to the supply hose and connect supply hose to toilet supply shank.

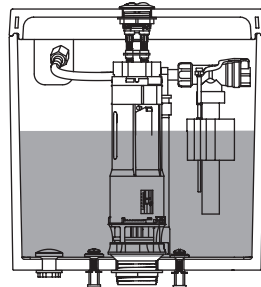


Installation

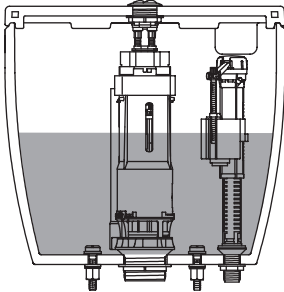
11 *In cistern.*



**Bottom Water Inlet
ALPHA / DOMANI**

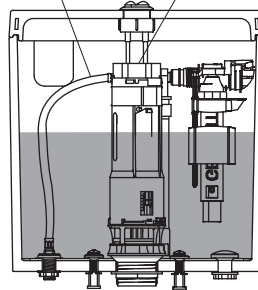


**Rear Water Inlet
MILANO**



**Bottom Water Inlet
MIRAGE / DELANO**

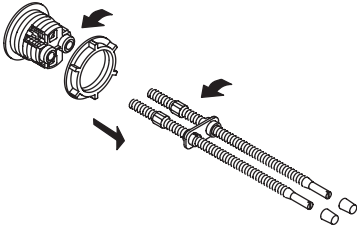
Tank Hose Stop Valve



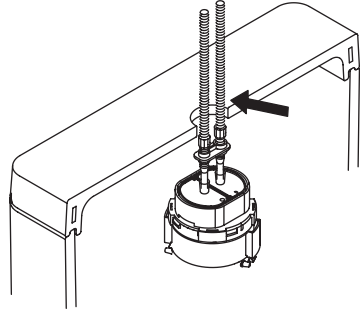
**Bottom Water Inlet
Optional 148794A-NA**

Install the Push Buttons

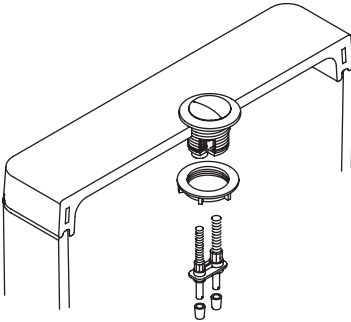
1 *Disassemble the push rods.*



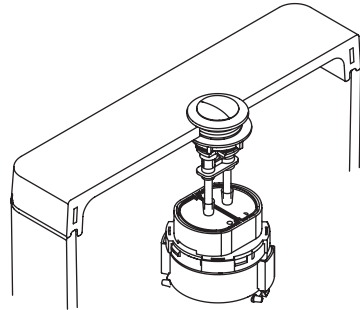
2 *Using the push rod, measure the distance between the flush valve and the top of the tank lid. Mark this length and cut the push rod to length. Cut the push rod to length.*



3 *Reassemble the push rods.*



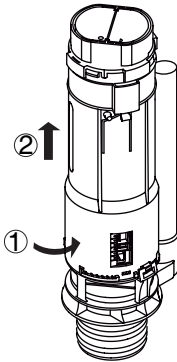
4 *Fit the lid and test the buttons. Adjust the rods as required.*



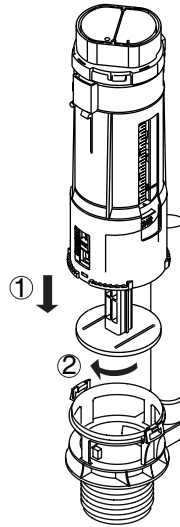
Install Flush Valve

Flush Valve A

1 Release flush valve by turn right and pull straight up on the canister.

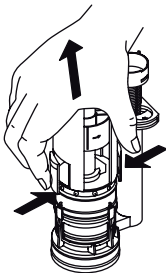


2 Assembly flush valve by push straight down into the canister and turn left.

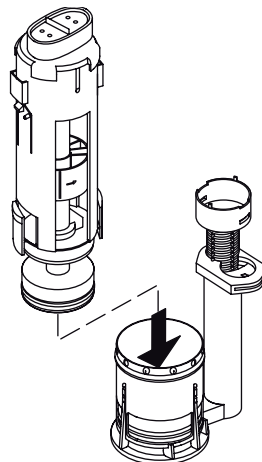


Flush Valve B

1 Release flush valve by squeeze the tabs on both side of the canister and pull straight up out of the flush valve.



2 Assembly flush valve by pressing it into the flush valve so it snap into place.



Australia Kohler Co.
Phone: 1300 362 284 Fax: 1300 652 284
www.inglefield.com

New Zealand Kohler NZ Ltd.
Phone: 0 800 100 382 Fax: 0 800 664 488
www.inglefield.co.nz



© 2010 Kohler Co.

1104782-A2-B